

## ■ Description

- √ Wide Input Voltage: 90 ~ 305Vac
- √ High Efficiency up to 88.5%
- √ APFC (Active Power Factor Correction): 0.99 Typical
- √ All-Around Protection: OVP/OTP/SHORT
- √ Lighting Protection
- √ Waterproof: IP67
- √ 100% Full Load Aging Test for 4 Hours @Ta=45°C
- √ Safety Design Compliant to UL8750/IEC61347
- √ Thermal Optimized Aluminum Case with Potting



## ■ Application

**Outdoor Applications:** Street Light, Tunnel Light, Landscape Light, Garden Light and others

**Indoor Applications:** Bay Light, Explosion-proof Light and others

## ■ Model Selection

Model Number	Input Voltage Range	Output Power	Output Voltage Range	Output Current	Typical Eff.	Certification
LZWCD052S035SC	90 ~ 305Vac	52W	89-149Vdc	350mA	88.5 %	CE CCC CB ENEC
LZWCD052S035ST	90 ~ 305Vac	52W	89-149Vdc	350mA	88.5%	CE FCC UL
LZWCD052S070SC	90 ~ 305Vac	51.8W	44-74Vdc	700mA	88%	CE CCC CB ENEC
LZWCD052S070ST	90 ~ 305Vac	51.8W	44-74Vdc	700mA	88%	CE FCC UL
LZWCD052S0105SC	90 ~ 305Vac	52.5W	30-50Vdc	1050mA	88%	CE CCC CB ENEC
LZWCD052S105ST	90 ~ 305Vac	52.5W	30-50Vdc	1050mA	88%	CE FCC UL
LZWCD052S140SC	90 ~ 305Vac	51.8W	22-37Vdc	1400mA	87%	CE CCC CB ENEC
LZWCD052S140ST	90 ~ 305Vac	51.8W	22-37Vdc	1400mA	87%	CE FCC UL

**Note:** XX=ND means non-dimming model; XX=DM means 0-10V dimmable

## ■ Specifications

Items		Specification	
Input	Input Voltage	90~305Vac	
	Input Frequency	47~63Hz	
	Power Factor	>0.9@80-100%load, refer to PF vs. Load curve.	
	THD	<15%@80-100%load, refer to THD vs. Load curve.	
	Input Current	0.65Amax@100Vac& full load; 0.3Amax@230Vac& full load	
	Inrush Current	65A peak, 1.2ms duration@230Vac 25°C 70A peak, 1.3ms duration@277Vac 25°C <5.0A <sup>2</sup> s@230Vac, 25°C Cold Start	
	Leakage Current	1mAmax @277Vac 60Hz, UL8750 0.75mAmax @240Vac 50Hz, IEC61347-1	
Output	Current Accuracy	±5%lo	
	Ripple Current <sup>[2]</sup>	50%lo, peak to peak value	
	Setup Time	1.5s max	
	Output Overshoot	10%lo	
Protection	Output Over Voltage	120%Vomax	
	Input Under Voltage	Shut Down When Vmains ≤ 85 ± 5Vac; Auto Recovery When Vmains ≥ 90 ± 5Vac	
	Over Temperature	Decrease output current until over temperature state is removed	
	Short Circuit	Auto recovery. The output recovers when short is removed.	
Environmental Condition	Operating Temperature	-40°C ~ +70°C; 10%RH ~ 100%RH(See Derating Curve for more details <sup>[3]</sup> )	
	Storage Temperature	-40°C ~ +85°C; 5%RH ~ 100%RH	
Others	MTBF	≥320,000 hours, measured at 230Vac input, 80% load and 25 °C ambient temperature(MIL-HDBK-217F)	
	Lifetime	≥50,000 hours, measured at 230Vac input, 80% load and 75 °C Case temperature <sup>[4]</sup>	
	Case Temperature	90°C max <sup>[5]</sup>	
	Dimensions	Inch(L x W x H)	7.59x1.67x1.34
		Millimeter(L x W x H)	172.0x42.5x34.0
Net Weight		480g	

Notes:

[1] Unless specified, all the test results are measured in the 25DegC room temperature.

[2] The result differs according to different LED load characteristic.

[3] Please confirm working conditions according to the derating curve of output power vs. input voltage and temperature. Beyond the safety work condition will not be recommended.

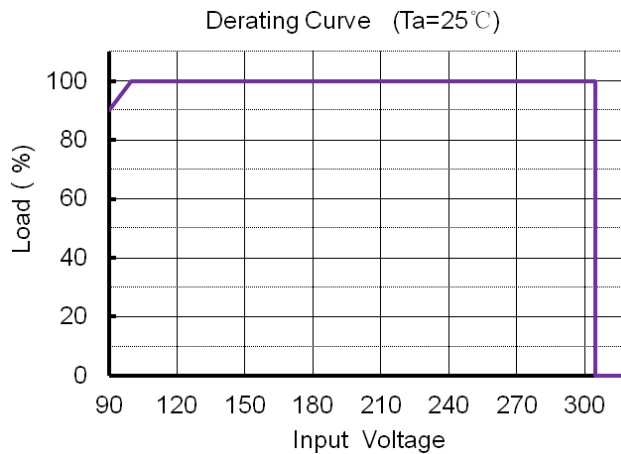
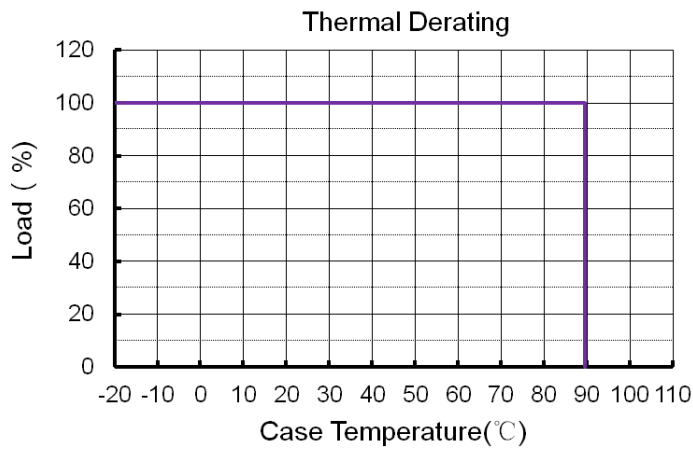
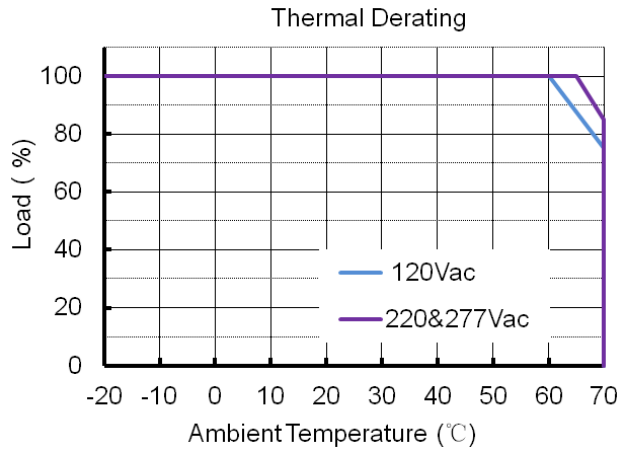
[4] refer to Lifetime vs. Tc curve .

[5] Tc point is marked on the product label. The label is also listed in the specification for approval.

## ■ Safety & EMC Compliance

Safety Category	Standard
UL8750	Light Emitting Diode(LED) Equipment for Use in Lighting Products
UL1012	Power Unit Other Than Class 2
UL1310	Class 2 Power Units
IEC 61347-1	Lamp Controlgear Part 1: General and Safety Requirements
IEC 61347-2-13	Lamp Controlgear Part 2-13: Particular Requirement for d.c. or a.c. Supplied Electronic Controlgear for LED Modules
EMI Standards	Notes
IEC 55015	Conducted emission test & Radiated emission test
IEC 61000-3-2	Harmonic current emissions; Class C ( $\geq 75\%$ load)
IEC 61000-3-3	Voltage fluctuations & flicker
FCC Part 15	Class B
IEC 61000-4-2	Electrostatic discharge (ESD)
EMS Standards	Notes
IEC 61000-4-3	Radio frequency electromagnetic field susceptibility test (RS)
IEC 61000-4-4	Electrical fast transient (EFT)
IEC 61000-4-5	Surge immunity test L-N:2kV; LN-PE:4kV
IEC 61000-4-6	Conducted radio frequency disturbances test (CS)
IEC 61000-4-8	Power frequency magnetic field test
IEC 61000-4-11	Voltage dips
IEC 61547	Electromagnetic immunity requirements applies to lighting equipment

■ **Derating Curve (Typical)**

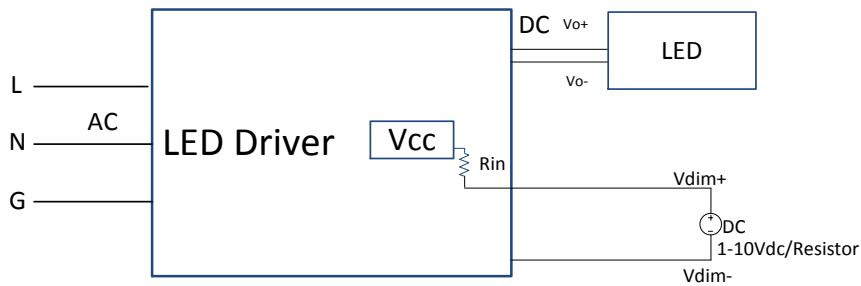


## ■ Dimming Section

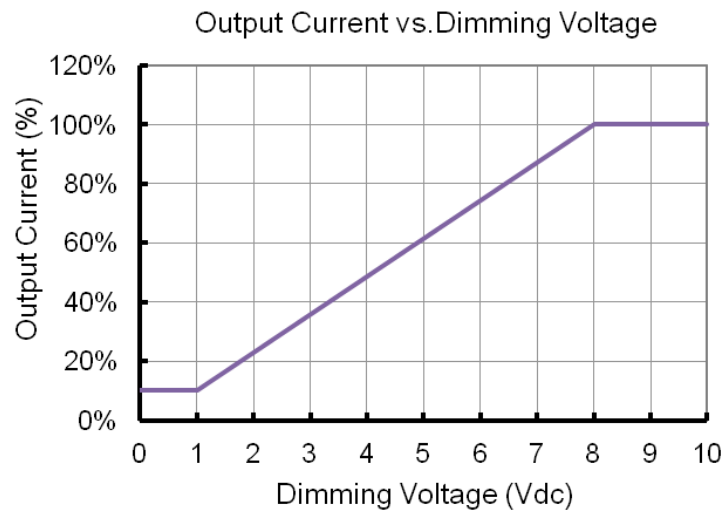
Parameter	Min.	Typ.	Max.	Notes
Vcc	-	12.5V	-	
Rin	-	51 kOhm	-	
Absolute maximum voltage range on the 0-10V input pin	-20V	-	20 V	
Dimming range	10%	-	100%	

The dimmer control is operated from an input signal of 0 – 10Vdc. Recommended implementations are provided below.

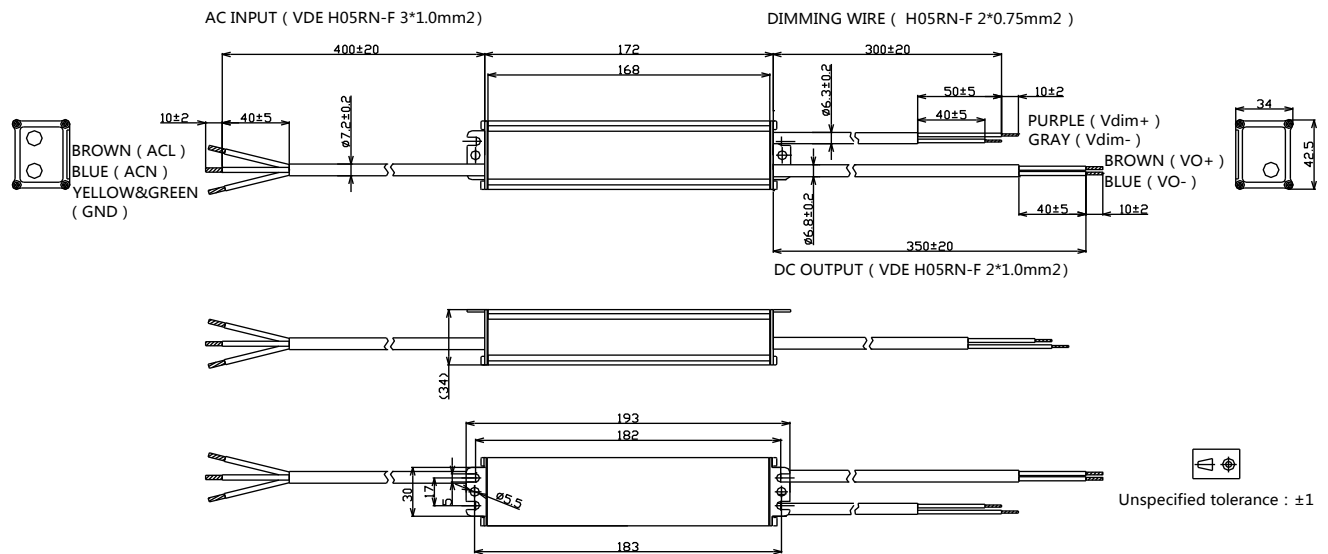
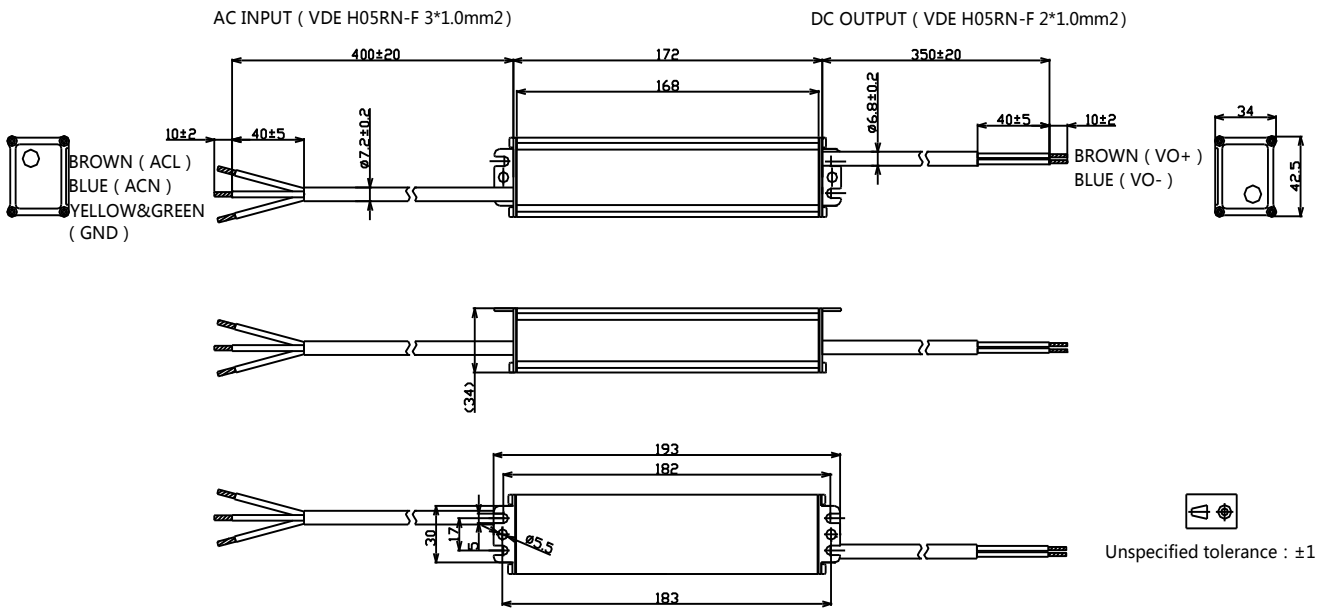
## Diagram



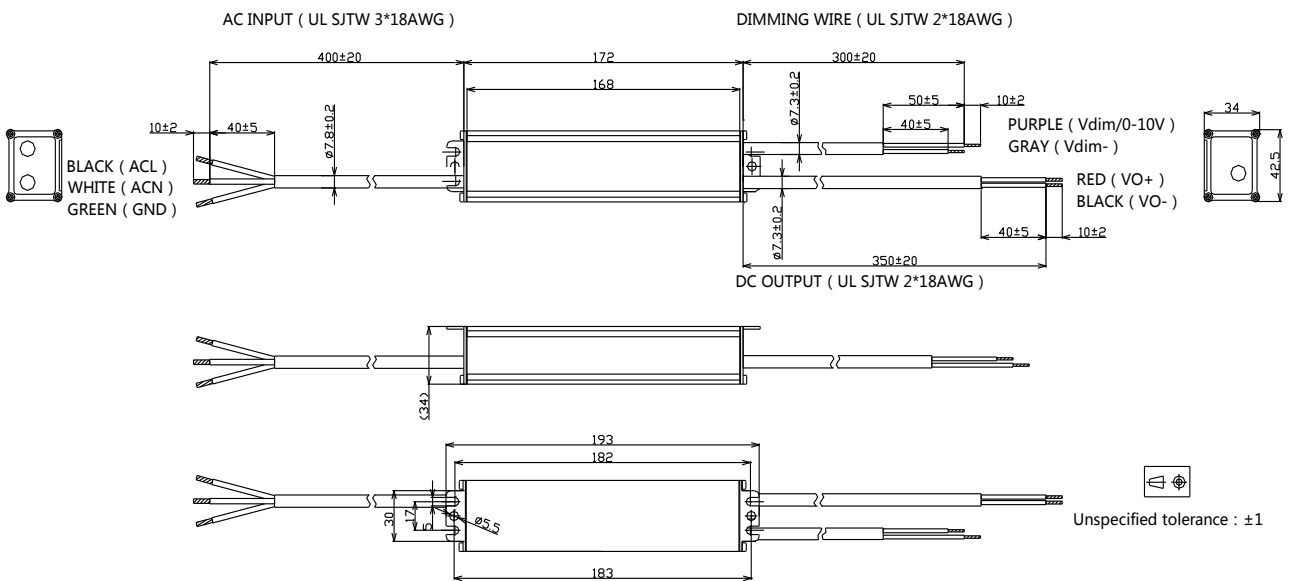
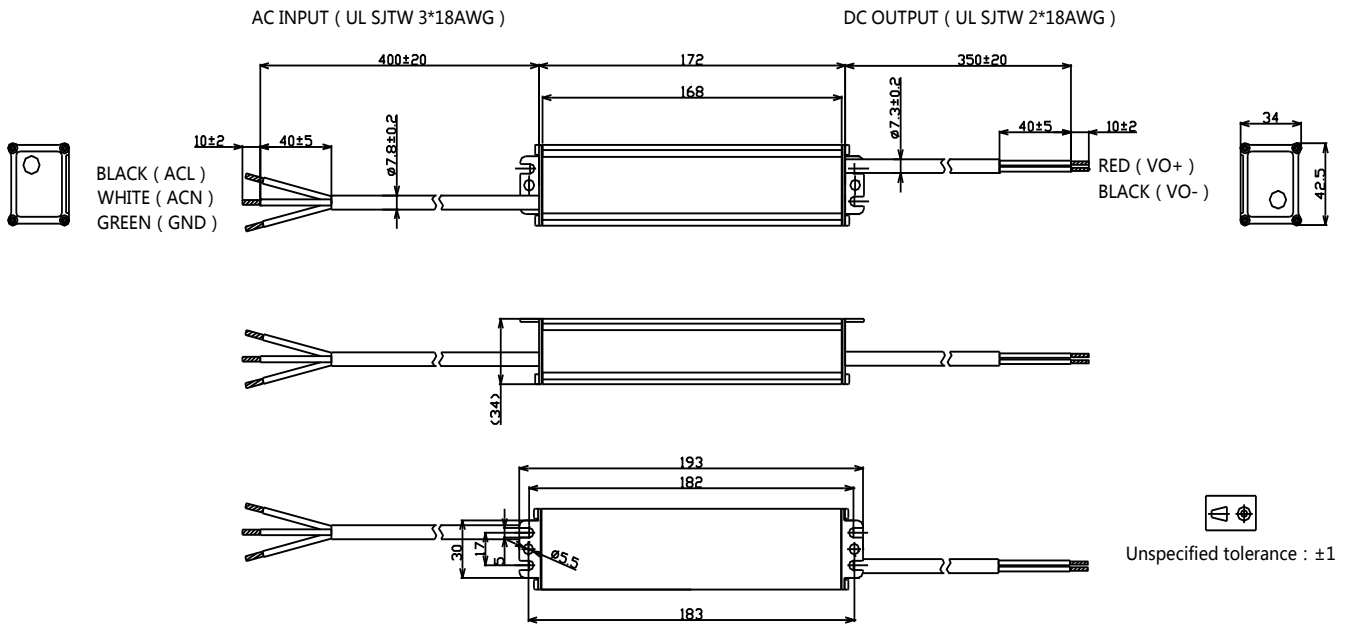
## Dimming Curve



■ **Mechanical Outline** (Unit: mm)



Note: Please make sure the output cable does not connect to dimming cable or the cables of other drivers until 20 seconds after being tested because of the remained voltage in the output capacitor.



Note: Please make sure the output cable does not connect to dimming cable or the cables of other drivers until 20 seconds after being tested because of the remained voltage in the output capacitor.