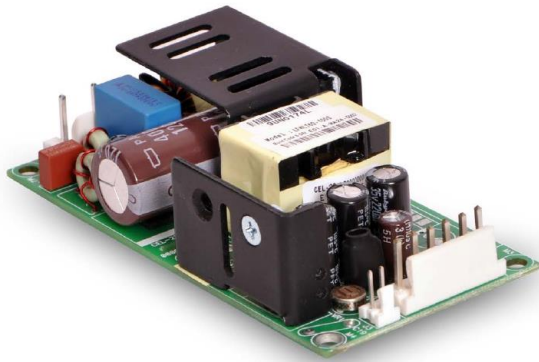


SPJ60 Series, 60W Open Frame



Features

- 50–65 W convection-cooled rating
- Small 4 x 2 x 1.2 inches form factor
- High efficiency > 85%
- Single to triple outputs
- EN55022–B, FCC Part 15 Level B
- No Load Power < 0.3 W
- Class 1 & Class 2 options
- Cover kit accessory available

Electrical Specifications	
AC Input	90–264 V, Universal
Input Frequency ⁵	47–400 Hz
Input Current	120 VAC: 1.5 A max. 230 VAC: 0.75 A max.
No Load Power	< 0.3 W for single output models < 0.5 W for multi output models
Inrush Current	120 VAC: 30 A max. 230 VAC: 60 A max.
Leakage Current	120 VAC: < 500 μ A 230 VAC: < 1000 μ A
Efficiency ¹	120 VAC: 85% typical 230 VAC: 85% typical
Hold-up Time	>10 ms @ 120 VAC typical
Output Power	50–65 W
Line Regulation	+/-0.3%
Load Regulation	V1: +/-0.5%; V2 & V3: +/-5%
Transient Response	< 10%, 50% to 100% load change, 50/60 Hz, 50% duty cycle, 0.1 A/ μ s, recovery time < 5 ms
Rise Time	< 100 ms
Set Point Tolerance	V1: +/-3%; V2 & V3: +/-5%
Output Adjustability	V1: +/-10%
Over Current Protection	130% typical above rating
Over Voltage Protection	130% typical for V1 only
Short Circuit Protection	Short term, autorecovery
Switching Frequency	Approximately 67 kHz
Operating Temperature	-20 to 70°C, refer derating curve; -20 to 0°C, start-up is guaranteed
Storage Temperature	-40 to +85°C
Relative Humidity	95% Rh, noncondensing
Altitude	Operating: 10,000 ft.; Nonoperating: 40,000 ft.
MTBF	1.87m Hours, Telcordia -SR332-issue 3
Isolation Voltage	Min. 4242 VDC between input to output
Cooling	Convection



Sales / Technical Support: +1-818-338-7788 Option 3
 Email: sales@autecpower.com

Available outputs:

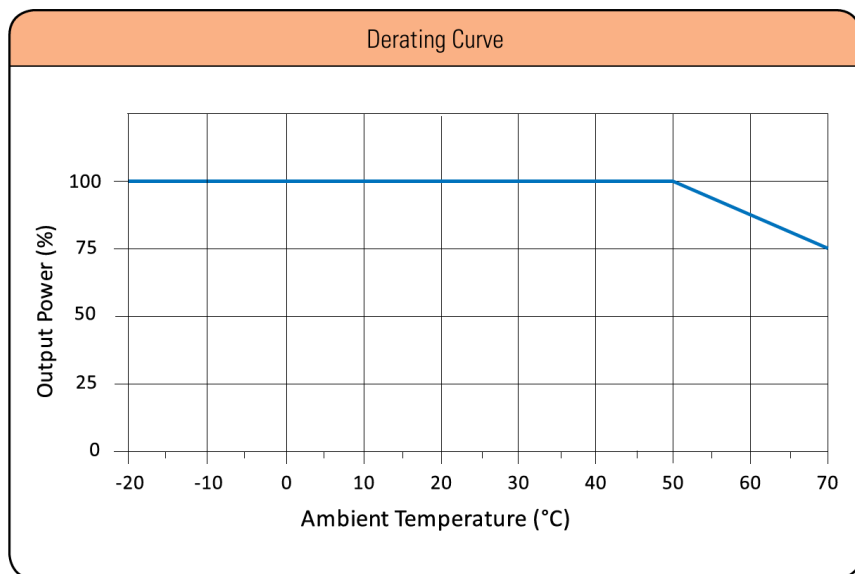
Model	Output Voltage	Max. Load	Min. Load	Ripple
SPJ60-051-XY	5.2V	10A	0.0A	1.25%
SPJ60-120-XY	12V	5.4A	0.0A	1%
SPJ60-150-XY	15V	4.33A	0.0A	1%
SPJ60-240-XY	24V	2.7A	0.0A	1%
SPJ60-480-XY	48V	1.35A	0.0A	1%
SPJ60-3000	V1=5.2V, V2=12.5V, V3= -12.8V	V1=8.0A, V2=3.0A, V3=0.5A	V1=0.5A, V2=0.1A, V3=0.0A	1.25%
SPJ60-3001	V1=5.2V, V2=23.8V, V3= -12.8V	V1=8.0A, V2=1.5A, V3=0.5A	V1=0.5A, V2=0.1A, V3=0.0A	1.25%
SPJ60-3002	V1=5.2V, V2=14.6V, V3= -16.2V	V1=8.0A, V2=2.5A, V3=0.5A	V1=0.5A, V2=0.1A, V3=0.0A	1.25%
SPJ60-3003	V1=3.3V , V2=5.2V, V3= -12.8V	V1=6.0A, V2=3.0A, V3=0.5A	V1=0.5A, V2=0.1A, V3=0.0A	1.25%

Connectors		
J1	Pin 1	AC NEUTRAL
	Pin 2	AC LINE
Spade Connector		EARTH
J2	Pin 1	V1
	Pin 2	V1
	Pin 3	RTN
	Pin 4	RTN
	Pin 5	V3
	Pin 6	V2
J3	Pin 1	+V1 SENSE
	Pin 2	-V1 SENSE

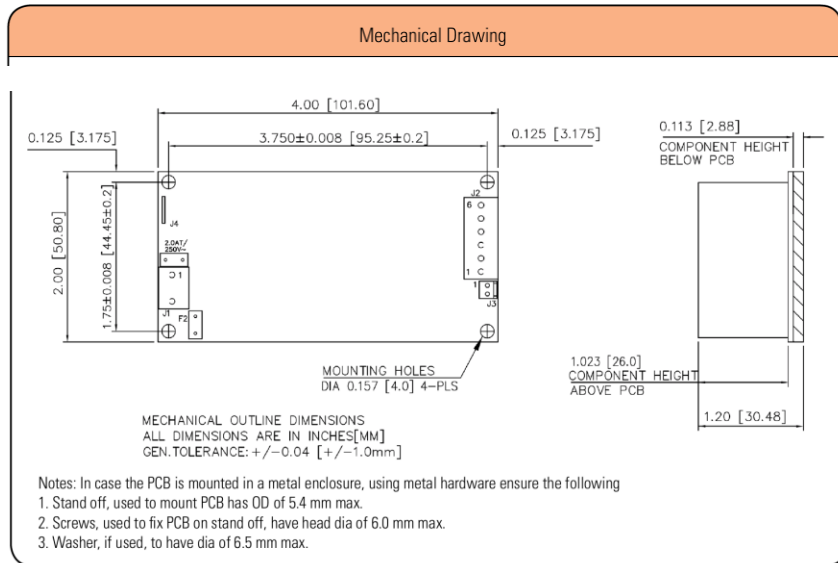


Sales / Technical Support: +1-818-338-7788 Option 3
 Email: sales@autecpower.com

Mechanical Specifications	
AC Input Connector (J1)	Molex: 26-60-4030 or equivalent Mating: 09-50-3031; Pins: 08-50-0106
EARTH	Molex: 19705-4301 Mating: 190030001
DC Output Connector (J2)	Tyco: 640445-6 or equivalent Mating: 647402-6; Pins: 3-647409-1
Signal Connector (J3)	Molex: 22-23-2021 or equivalent Mating: 22-01-2021
Dimensions	4.0 x 2.0 x 1.2 inches (101.6 x 50.8 x 30.48 mm)
Weight	150 g
EMC*	
CE Mark	Complies with LVD Directive
Conducted Emissions	EN55022-B, CISPR22-B, FCC PART15-B
Static Discharge	EN61000-4-2, Level-3
RF Field Susceptibility	EN61000-4-3, Level-3
Fast Transients/Bursts	EN61000-4-4, Level-3
Radiated Emissions	EN55022-B, CISPR22-B, FCC PART15-B To be controlled in end system
Surge Susceptibility	EN61000-4-5, Level-3
Harmonic Current	EN61000-3-2, Class A
Safety*	
Safety Standard(s)	IEC60950-1 (ed.2), EN60950-1, UL60950-1 (2nd Edition), CSA C22.2 No. 60950-1 (2nd Edition), Class 1 SELV
Approval Agency	Nemko, UL, C-UL



Mechanical drawing single-output



Mechanical drawing mutli-output

