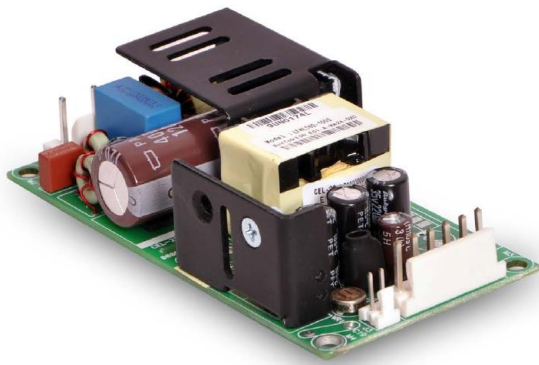


SPJ40 Series, 40W Open Frame



Features

- 40 W convection-cooled rating
- Small 4 x 2 x 1.2 inches form factor
- High efficiency > 85%
- Single to triple outputs
- Low conducted and radiated noise
- No Load Power < 0.3 W
- Class 1 & Class 2 options
- Cover kit accessory available

Electrical Specifications

AC Input	90-264 V, Universal	
Input Frequency ^a	47-400 Hz	
Input Current	120 VAC: 0.85 A max.	230 VAC: 0.45 A max.
No Load Power	< 0.3 W for single output models < 0.5 W for multi output models	
Inrush Current	120 VAC: 30 A max.	230 VAC: 60 A max.
Leakage Current	120 VAC: < 500 µA	230 VAC: < 1000 µA
Efficiency ^b	120 VAC: 85% typical	230 VAC: 85% typical
Hold-up Time	>10 ms @ 120 VAC typical	
Output Power	40 W	
Line Regulation	+/-0.3%	
Load Regulation	V1: +/-0.5%; V2 & V3: +/-5%	
Transient Response	< 10%, 50% to 100% load change, 50/60 Hz, 50% duty cycle, 0.1 A/µs, recovery time < 5 ms	
Rise Time	< 100 ms	
Set Point Tolerance	V1: +/-3%; V2 & V3: +/-5%	
Output Adjustability	V1: +/-10%	
Over Current Protection	130% typical above rating	
Over Voltage Protection	130% typical for V1 only	
Short Circuit Protection	Short term, autorecovery	
Switching Frequency	Approximately 67 kHz	
Operating Temperature	-20 to 70°C, refer derating curve; -20 to 0°C, start-up is guaranteed	
Storage Temperature	-40 to +70°C	
Relative Humidity	95% Rh, noncondensing	
Altitude	Operating: 10,000 ft.; Nonoperating: 40,000 ft.	
MTBF	1.87m Hours, Telcordia -SR332-issue 3	
Isolation Voltage	Min. 4242 VDC between input to output	
Cooling	Convection	



Sales / Technical Support: +1-818-338-7788 Option 3
 Email: sales@autecpower.com

Available outputs:

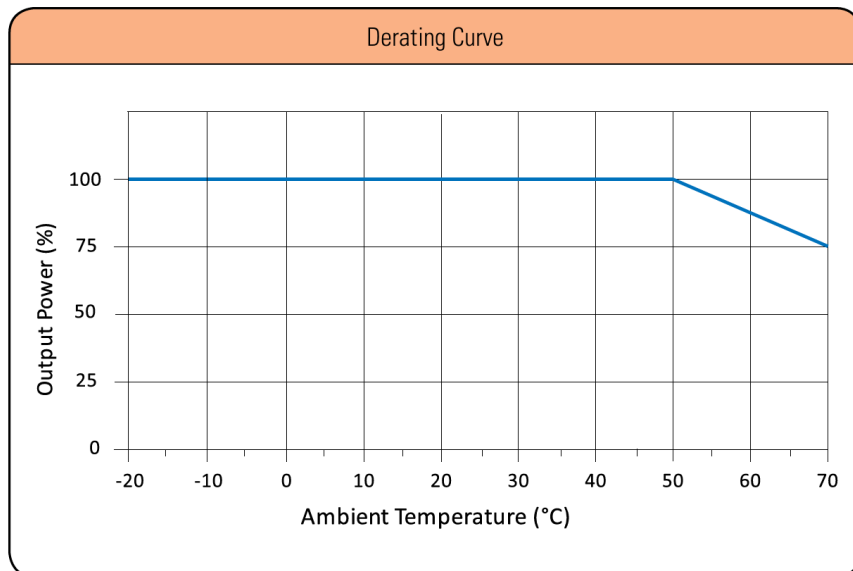
<u>Model</u>	<u>Output Voltage</u>	<u>Max. Load</u>	<u>Min. Load</u>	<u>Ripple</u>
SPJ40-051-XY	5.1V	8.0A	0.0A	1%
SPJ40-120-XY	12V	3.5A	0.0A	1%
SPJ40-150-XY	15V	2.7A	0.0A	1%
SPJ40-240-XY	24V	1.7A	0.0A	1%
SPJ40-480-XY	48V	0.83A	0.0A	1%
SPJ40-3000	V1=5.2V, V2=12.5V, V3= -12.8V	V1=6.0A, V2=2.0A, V3=0.5A	V1=0.5A, V2=0.1A, V3=0.0A	1%
SPJ40-3001	V1=5.2V, V2=23.8V, V3= -12.8V	V1=6.0A, V2=1.0A, V3=0.5A	V1=0.5A, V2=0.1A, V3=0.0A	1%
SPJ40-3002	V1=5.2V, V2=14.6V, V3= -14.8V	V1=6.0A, V2=1.5A, V3=0.5A	V1=0.5A, V2=0.1A, V3=0.0A	1%
SPJ40-3003	V1=3.3V , V2=5.2V, V3= -12.8V	V1=6.0A, V2=1.5A, V3=0.5A	V1=0.5A, V2=0.1A, V3=0.0A	1%

Connectors		
J1	Pin 1	AC NEUTRAL
	Pin 2	AC LINE
Spade Connector		EARTH
J2	Pin 1	V1
	Pin 2	V1
	Pin 3	RTN
	Pin 4	RTN
	Pin 5	V3
	Pin 6	V2
J3	Pin 1	+V1 SENSE
	Pin 2	-V1 SENSE

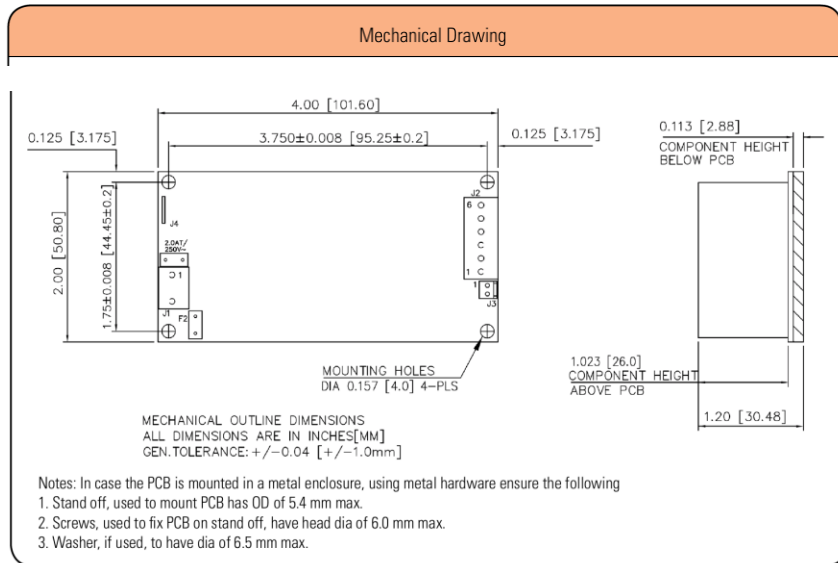


Sales / Technical Support: +1-818-338-7788 Option 3
 Email: sales@autecpower.com

Mechanical Specifications	
AC Input Connector (J1)	Molex: 26-60-4030 or equivalent Mating: 09-50-3031; Pins: 08-50-0106
EARTH	Molex: 19705-4301 Mating: 190030001
DC Output Connector (J2)	Tyco: 640445-6 or equivalent Mating: 647402-6; Pins: 3-647409-1
Signal Connector (J3)	Molex: 22-23-2021 or equivalent Mating: 22-01-2021
Dimensions	4.0 x 2.0 x 1.2 inches (101.6 x 50.8 x 30.48 mm)
Weight	150 g
EMC*	
CE Mark	Complies with LVD Directive
Conducted Emissions	EN55022-B, CISPR22-B, FCC PART15-B
Static Discharge	EN61000-4-2, Level-3
RF Field Susceptibility	EN61000-4-3, Level-3
Fast Transients/Bursts	EN61000-4-4, Level-3
Radiated Emissions	EN55022-B, CISPR22-B, FCC PART15-B To be controlled in end system
Surge Susceptibility	EN61000-4-5, Level-3
Harmonic Current	EN61000-3-2, Class A
Safety*	
Safety Standard(s)	IEC60950-1 (ed.2), EN60950-1, UL60950-1 (2nd Edition), CSA C22.2 No. 60950-1 (2nd Edition), Class 1 SELV



Mechanical drawing single-output



Mechanical drawing mutli-output

