


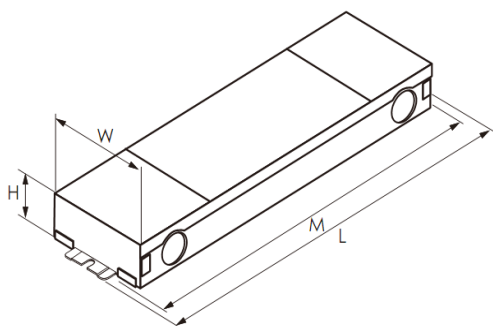
LXWV-100S024ST-J20	
	
Constant voltage LED driver	
Total power: 96W	
Input voltage: 120~277Vac ± 10%	
Number of outputs: One	
UL 8750 / UL Listed	
IP20 design for dry and damp location	
5 year warranty	

ELECTRICAL SPECIFICATIONS:		ENVIRONMENTAL SPECIFICATIONS:	
Input voltage range:	120~277Vac ± 10%	Operating temperature:	-30 to 60°C
Frequency:	50/60Hz	Storage temperature:	-40 to 85°C
Power factor:	>0.9 @full load, 120V through 277V	Humidity:	5% to 95%
Inrush current:	20A @230V	MTBF:	258,000 hours at 40°C ambient (~70°C Case temp)
Max input current:	0.94A @120V and 0.41A @277V	Maximum case Temperature	90°C
THD:	<20%		
Protection:	Over current and Short circuit		
Withstand voltage	I/P – O/P 2k Vac		

PRODUCT SPECIFICATIONS:							
Model Number	Max output power	Output Current	Output Voltage	Efficiency	Remote mounting distance (#18 AWG)	Class 2	
						US	Canada
LXWV-100S024ST-J20	96W	0 - 4A	24V	86%	9 ft	√	√

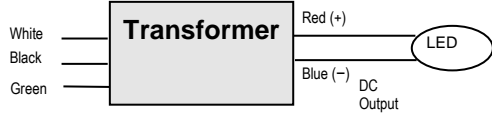
SAFETY AND EMC COMPLIANCE:	
UL/cUL	UL 8750
FCC, 47CFR Part 15	Class B Consumer Limit
EN61000-3-2	

PHYSICAL DIMENSIONS:	
Length (L):	11.46"
Width (W):	3.00"
Height (H):	1.30"
Mounting (M):	11.02"
Weight:	1.3 kg

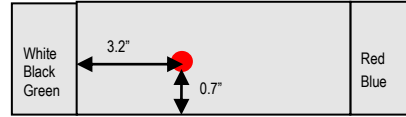


WIRE SPECIFICATIONS:	
Input:	12", UL 1316 #18AWG (White, Black and Green)
Output:	12", UL 1316/1430 #18AWG (Red and Blue)

WIRING DIAGRAM:



HOTTEST SPOT LOCATIONS:



LIFETIME / CASE TEMP:

