

FEATURES
50W Constant Current LED Driver
LXWCD050 Series

- Input Voltage 120~277VAC
- Total Power 50W
- RoHS Compliant
- UL 8750
- IP20 or IP66 Design
- Dimmable with 0 – 10V Dimmer


SPECIFICATIONS

| Model # | Output Current ±5% | Output Voltage Range | OCV | Remote mounting distance (#18 AWG) | Efficiency (Typ.) | | |
|--------------------|-----------------------|----------------------|-----|---------------------------------------|-------------------|--------|--------|
| | | | | | 120VAC | 240VAC | 277VAC |
| LXWCD050S920PS (1) | 920mA | 27~54V | 58V | 41ft | 85% | 85% | 84% |
| LXWCD050S100PS (1) | 1000mA | 25~50V | 54V | 38ft | 85% | 85% | 84% |
| LXWCD050S110PS (1) | 1100mA | 23~45V | 49V | 34ft | 85% | 85% | 84% |
| LXWCD050S120PS (1) | 1200mA | 21~42V | 46V | 32ft | 85% | 85% | 84% |
| LXWCD050S130PS (1) | 1300mA | 19~38V | 42V | 29ft | 85% | 85% | 84% |
| LXWCD050S140PS (2) | 1400mA | 18~36V | 40V | 27ft | 85% | 85% | 84% |
| LXWCD050S150PS (2) | 1500mA | 17~33V | 37V | 25ft | 84% | 84% | 83% |
| LXWCD050S160PS (2) | 1600mA | 16~31V | 35V | 24ft | 84% | 84% | 83% |
| LXWCD050S170PS (2) | 1700mA | 15~29V | 33V | 22ft | 84% | 84% | 83% |
| LXWCD050S180PS (2) | 1800mA | 14~28V | 32V | 21ft | 84% | 84% | 83% |
| LXWCD050S190PS (2) | 1900mA | 13~26V | 30V | 20ft | 84% | 84% | 83% |
| LXWCD050S200PS (2) | 2000mA | 13~25V | 29V | 19ft | 84% | 84% | 83% |
| LXWCD050S210PS (2) | 2100mA | 12~24V | 28V | 18ft | 84% | 84% | 83% |

| | | |
|--------|---------------------------|---|
| Output | Voltage Tolerance | ±5% at full load condition |
| | Line Regulation | ±1% |
| | Load Regulation | ±2% |
| | No Load power Consumption | <2W |
| | Over Shoot | <10% at full load condition |
| | Ripple Noise | < 10% (pk-pk) |
| | Turn-on Delay Time | < 0.75s at full load condition |
| Input | Leakage Current | Maximum 0.5mA at 277Vac, 60Hz Input |
| | Voltage Range | 120 ~ 277Vac ±10% |
| | Frequency Range | 50/60Hz |
| | Inrush Current | 20A @ 230V |
| | Power Factor | >0.9 under 120~277Vac input with 80~100% load condition(for all output voltage) |
| | AC Current (Max.) | 0.52A @120V, 0.28A @240V and 0.24A @277V |
| | THD | <20% under 120~277Vac input with 80~100% load condition(for all output voltage) |

| | | | | |
|---------------|-------------------------|---|--------------------|--|
| Protections | Short Circuit | Hiccup mode. Protection will trigger when short circuit and will auto recover after the fault mode is removed. | | |
| | Over Current | Hiccup mode. Protection will trigger when load current exceed specified output current and will auto recover after the fault mode is removed. | | |
| | Over Voltage | Hiccup mode. Protection will trigger when load voltage exceed specified output voltage and will auto recover after the fault mode is removed. | | |
| | Withstand Voltage | Input to Output, 2,800Vdc, 2mA | | |
| Environmental | Temperature Range | Operational | - 40 ~ 60°C | |
| | | Storage | - 40 ~ 85°C | |
| | Humidity | 5 ~ 95% RH | | |
| | Case Temperature (Max.) | 90°C | | |
| Safety & EMC | Safety Standards | UL8750, Type TL EN61347-1, EN61347-2-13 | | |
| | EMS Immunity | EN61000-3-2 (Harmonic Current Emissions Class C) FCC, 47CFR Part 15 ANSI C63.4: 2009 Class B(Consumer Limit) | | |
| Others | MTBF | 235,000 hours at 40°C ambient (~70°C Case temp) | | |
| | Life Time | 85,000 hours at 120Vac input, 100% load and 60°C case temperature | | |
| | Dimensions | (L*W*H) 5.54*1.86*1.26 inches (L*W*H) 141*47*32 mm | | |
| | Weight | 0.4kg | | |
| | Packaging | 0.6kg / UNIT ; 40pcs / carton ; 1,800pcs / pallet | | |
| | | Carton size | 490 x 195 x 155 mm | |
| | | Carton weight | 17kg | |
| Case Material | | Plastic | | |

NOTE:

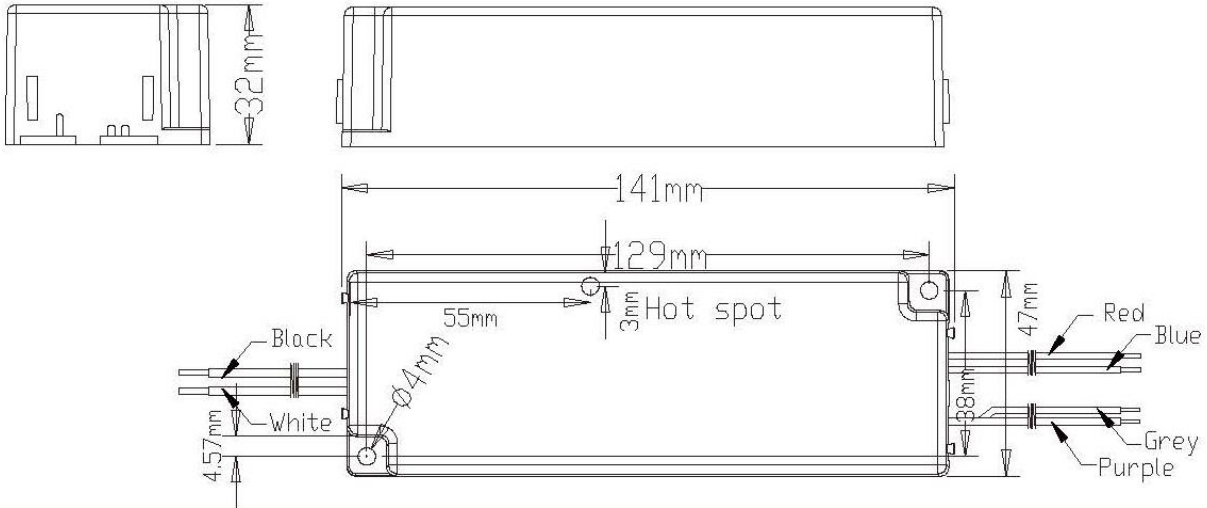
1. Class 2 output (USR), Non- Class 2 output (CNR).
2. Class 2 output (USR & CNR).

Wire Specification

| Wire Specification | |
|--------------------|---------------------------------------|
| Input | 12", UL 1569 #18AWG (Black and White) |
| Output | 12", UL 1430 #22AWG (Red and Blue) |
| Dimming | 12", UL 1430 #22AWG (Purple and Grey) |



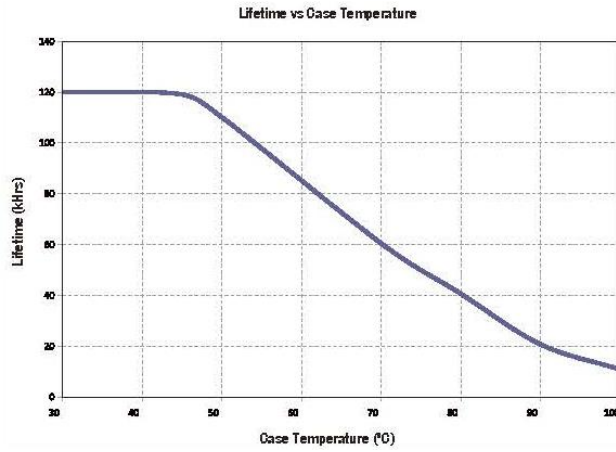
Mechanical Specification



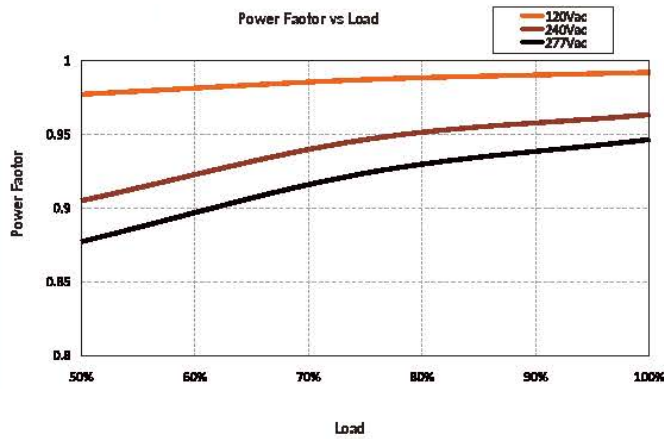
Derating Curves



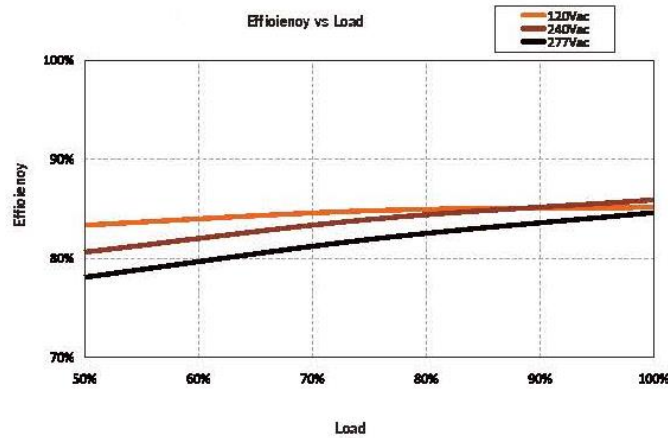
Life Time vs. Case Temperature Curve



Power Factor Characters



Efficiency vs Load



PART NUMBER SCHEME

LXWCD050SxxxPS

LX=LED Driver Series

W= Wide Input Voltage 120~277VAC

C= Constant Current

D= Dimming

050= Output Power (Watts)

S= Class II, 2 Wire Input

P= Plastic Case

XXX= Rated Current

S= Single Output

SPECIFICATIONS ARE SUBJECT TO CHANGE WITHOUT NOTICE. AUTEC IS NOT RESPONSIBLE FOR ISSUES ARISING FROM ERRORS OR OMISSIONS