

## LXWCD040SXXXPS



Constant current LED driver
Total power: 40W
Input voltage: 120~277Vac ± 10%
Number of outputs: One
UL 8750
IP20 or IP66 design
Dimmable with 0-10V dimmer
5 year warranty

ELECTRICAL SPECIFICATIONS:		ENVIRONMENTAL SPECIFICATIONS:	
Input voltage range:	120~277Vac ± 10%	Operating temperature:	-30 to 60°C
Frequency:	50/60Hz	Storage temperature:	-40 to 85°C
Power factor:	>0.9 @full load, 120V through 277V	Humidity:	5% to 95%
Inrush current:	7A @230V	MTBF:	302,000 hours at 40°C ambient (~70°C Case temp)
Max input current:	0.44A @120V and 0.20A@277V	Maximum case Temperature	90°C
THD:	<20%		
Protection:	Over voltage, Over current and Short circuit		
Withstand voltage	I/P – O/P 2k Vac		

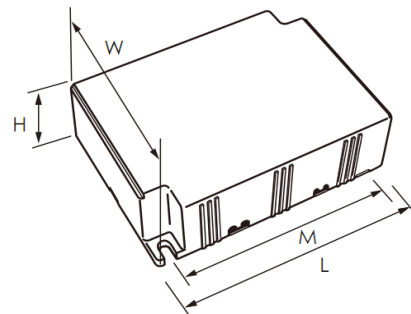
PRODUCT SPECIFICATIONS:							
Model Number	Max output power	Output Current	Output Voltage	Efficiency	Remote mounting distance (#18 AWG)	Class 2	
						US	Canada
LXWCD040S035PS	40W	350mA	38-114V	88%	109 ft		
LXWCD040S060PS	40W	600mA	22-67V	87%	56 ft		
LXWCD040S070PS	40W	700mA	19-59V	87%	54 ft	√	
LXWCD040S080PS	40W	800mA	17-50V	87%	48 ft	√	
LXWCD040S105PS	40W	1050mA	12-36V	87%	34 ft	√	√
LXWCD040S200PS	40W	2000mA	12-20V	87%	19 ft	√	√

SAFETY AND EMC COMPLIANCE:	
UL/cUL	UL 8750
FCC, 47CFR Part 15	Class B Consumer Limit
EN61000-3-2	

PHYSICAL DIMENSIONS:	
Length (L):	3.76"
Width (W):	2.81"
Height (H):	1.26"
Mounting (M):	3.34"
Weight:	0.36 kg

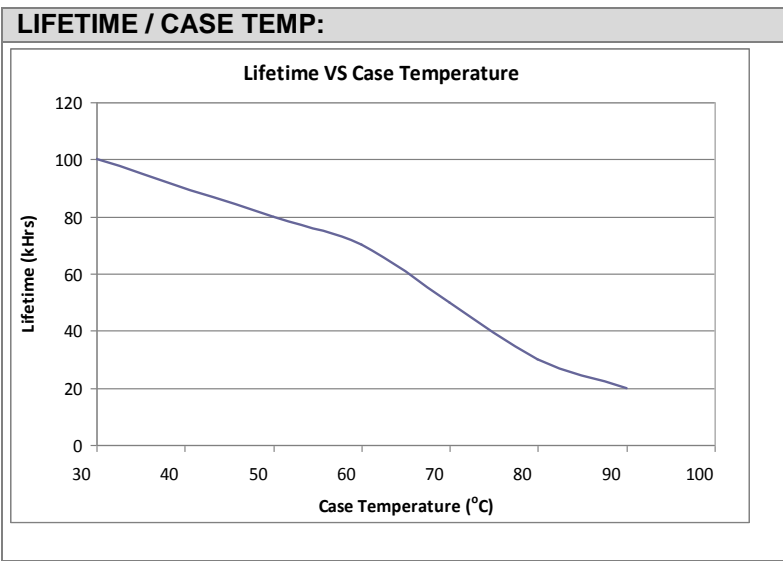
  

WIRE SPECIFICATIONS:	
Input:	12", UL 1316 #18AWG (White and Black)
Output:	12", UL 1569 #18AWG (With Non-Class 2 output)
	12", UL 1430 #22AWG (With Class 2 output) (Red and Blue)

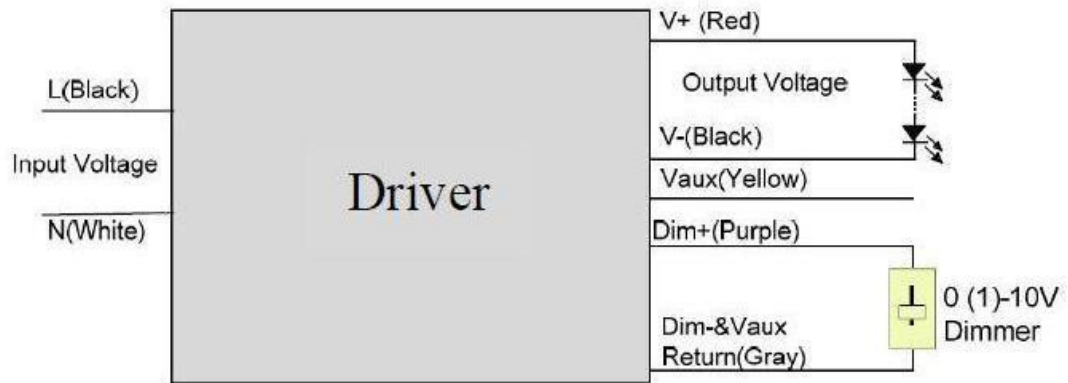


Dimming:	12", UL 1430 #22AWG (Purple and Grey)	
----------	--	--

WIRING DIAGRAM:	HOTTEST SPOT LOCATIONS:
<p>Transformer</p> <p>White Black LINE Red (+) DC Blue (-) DC Purple Grey Dimmer (Optional)</p>	<p>LINE DC Output</p>



A) Wiring of 0-10V dimming driver LXWCD040S105PS driver when using External-powered Dimmer



B) Wiring of 0-10V dimming driver LXWCD040S105PS driver when using resistor



C) Self-powered dimmer is not supported.