

FEATURES

25W LED Driver

Constant Current LED Driver
Total power: 25W
Input voltage: 120~277Vac ± 10%
Number of outputs: One
UL 8750
IP66
5 year warranty



SPECIFICATIONS

Model #	Output Current (mA)	Voltage Range	Max. Output Power	No Load Output Voltage	Remote Mounting Distance (#18 AWG)	Efficiency (Typ.)		
						At 277V	At 220V	At 120V
LXWCD025S035PS	350	24-72V	25W	80V	109ft	83%	81.00%	80%
LXWCD025S040PS	400	21-63V	25W	70V	96ft	83%	81.00%	80%
LXWCD025S045PS	450	21-56V	25W	60V	85ft	84%	82.00%	81%
LXWCD025S050PS	500	17-50V	25W	54V	76ft	84%	82.00%	81%
LXWCD025S060PS	600	14-42V	25W	46V	64ft	84%	82.00%	81%
LXWCD025S070PS	700	12-36V	25W	40V	54ft	84%	82.00%	81%
LXWCD025S080PS	800	10-32V	25W	36V	48ft	84%	82.00%	81%
LXWCD025S090PS	900	9-28V	25W	32V	42ft	84%	82.00%	81%
LXWCD025S100PS	1000	8-25V	25W	29V	38ft	84%	82.00%	81%
LXWCD025S104PS	1040	8-24V	25W	28V	36ft	84%	82.00%	81%
LXWCD025S110PS	1100	8-23V	25W	27V	34ft	84%	82.00%	81%
LXWCD025S120PS	1200	8-21V	25W	25V	32ft	84%	82.00%	81%
LXWCD025S140PS	1400	6-18V	25W	22V	27ft	84%	82.00%	81%

- 1- none class 2 model
- 2- class 2 USA
- 3- class 2 USA and Canada

Protections	Short Circuit	Hiccup Mode, Auto recover when fault condition is removed
	Over Load	Hiccup Mode, Auto recover when fault condition is removed
	Over Voltage	Hiccup Mode, Auto recover when fault condition is removed



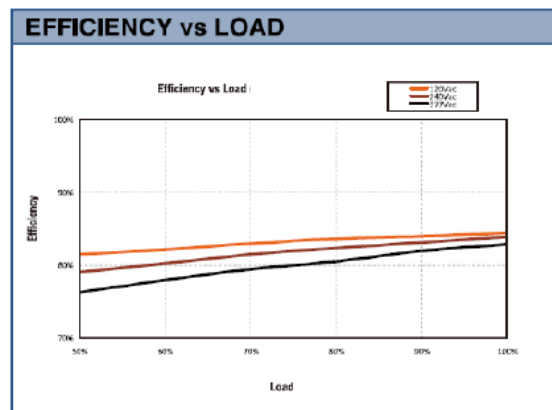
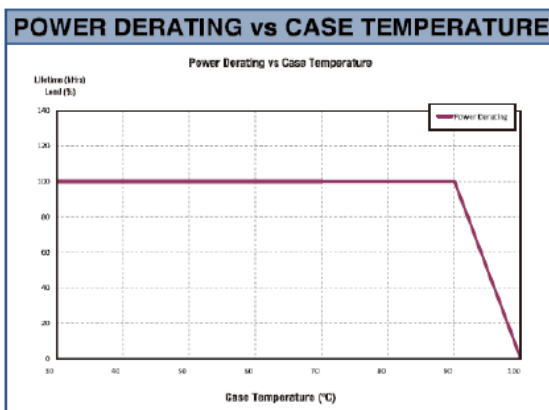
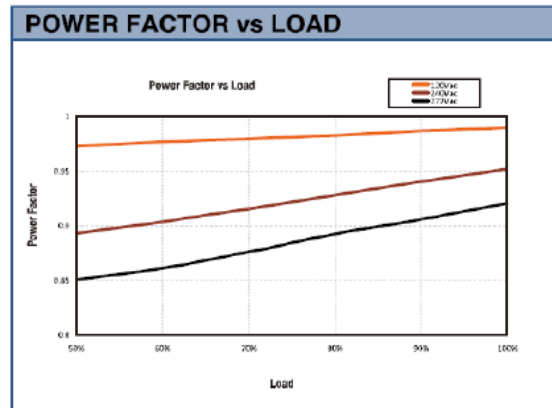
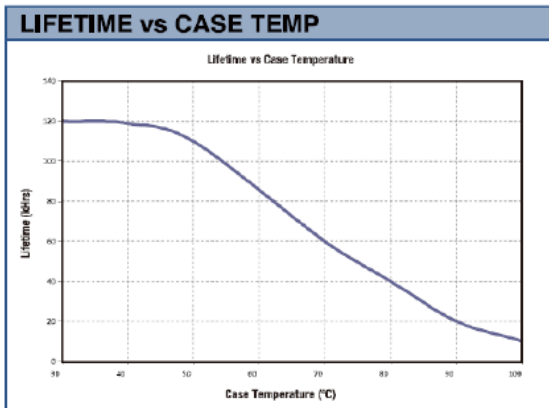
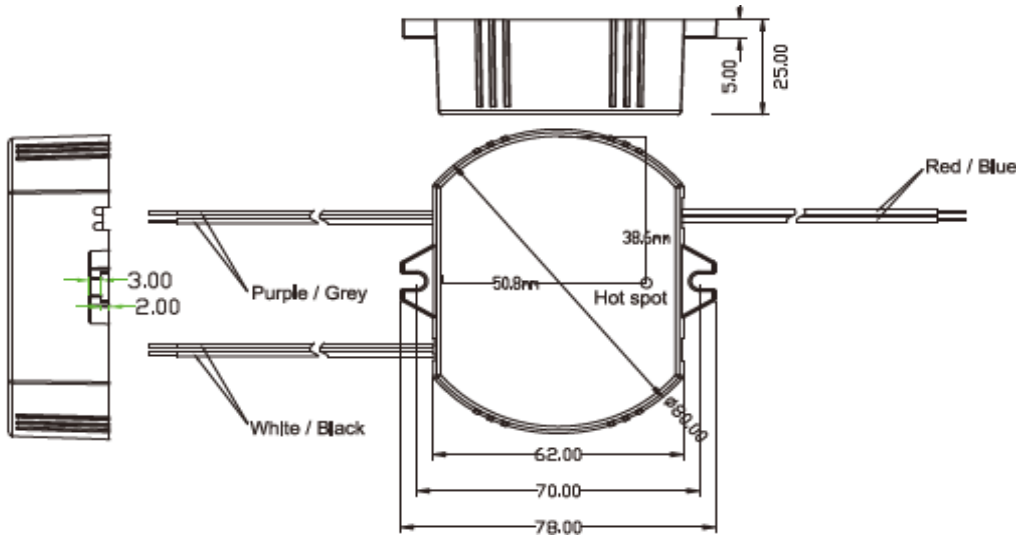
Input	Input voltage	120~277Vac ± 10%
	Frequency Range	50/60Hz
	Inrush Current	7A @230V
	AC Current (Typ.)	0.28A @120V, 0.16A @ 240V and 0.13A @ 277V for all models
	THD	<20% with 120~277 VAC and 80-100% Load Condition
	Power Factor	>0.9 @ 80~100 load, 120~277VAC for all models
	Leakage Current (Max.)	0.5mA at 277VAC, 60Hz Input

Output	Load Regulation	±2%
	Line Regulation	±1%
	Voltage Tolerance	±5%
	Turn-on Delay Time	<0.75s at Full Load Condition
	Overshoot	<10% at Full Load Condition
	No Load Power Consumption	<1W
	Ripple & Noise (pk-pk)	<10%

Environmental	Temperature Range	Operational	-40 to 60°C
		Storage	-40 to 85°C
	Case Temperature	90°C	
	Humidity	Operational	5% to 95%
Safety & EMC	Withstand Voltage	Input to Output 2800Vdc, 2mA	
	Safety Standards	UL 8750, CUL	
	EMI Conduction & Radiation	FCC, 47CFR Part 15 ANSI C63.4:2009 - Class B Consumer Limit	
	EMC Immunity	EN61347-1, EN61347-2-13, EN61000-3-2 Harmonic Current Emissions Class C	
Others	MTBF	374,000 hours at 40°C ambient (~70°C Case temp)	
	Lifetime	75,000 hours at 120Vac, 100% Load and 60°C case Temp	
	Dimension	3.15" (L) * 3.07"(W) * 1.00 (H)	
	Mounting	2.76" (M)	
	Weight	0.19 Kg (0.418 Lb)	

Shipping Specifications		
Units Per Carton	Carton Wight	Carton Dimension
50 pcs	10KG	450X235X155mm

MECHANICAL DRAWING





PART NUMBER SCHEME

LXWC-025SxxxSS

- LX=LED Driver Series
- W= Wide Input Voltage
120~277VAC
- C= Constant Current
- = Non-Dimming / D= Dimming
- 025= Output Power (Watts)

- S= Class II, 2 Wire Input
- S= Metal Case
- XXX= Rated Current
- S= Single Output

SPECIFICATIONS ARE SUBJECT TO CHANGE WITHOUT NOTICE. AUTECSYSTEMS IS NOT RESPONSIBLE FOR ISSUES ARISING FROM ERRORS OR OMISSIONS