

**FEATURES**

**60W Constant Current Triac Dimmable Driver**

**LXLCT060S Series**

- Selectable constant current and constant voltage output
- Full-isolated, delivering up to 60W of power
- Short circuit, over current and over voltage protection.  
Up to 80% efficient.
- Fireproof environmental protection PC plastic cover
- 3Years quality warranty



**SPECIFICATIONS**

Model #	LXLCT060S090PS	LXLCT060S120PS	LXLCT060S150PS	LXLCT060S180PS
<b>Output Current</b>	900mA	1200mA	1500mA	1800mA
<b>On Load Voltage</b>	65V	50V	38V	30V

**Technical Parameters**

<b>Input Voltage Range</b>	90~130V/AC
<b>AC Frequency</b>	48~62Hz
<b>Input Current</b>	0.78A max
<b>Output Power</b>	60W Max.
<b>Power Factor</b>	>0.95
<b>Efficiency</b>	>80%
<b>On Load Range</b>	70% ~ 100%
<b>Dimensions</b>	(L*W*H) 170*50*31 mm
<b>Weight</b>	225g

**Environmental Specifications**

<b>Operating Temperature</b>	-30°C~45°C
<b>Storage Temperature</b>	-40°C~70°C
<b>Thermal Dissipation</b>	Nature
<b>Relative Humidity</b>	5~95%
<b>Isolation Voltage</b>	In/Out 3000VAC
<b>Vibration</b>	5-55Hz/2g, 30 Min.
<b>Life Time</b>	50,000 hours, at TC max

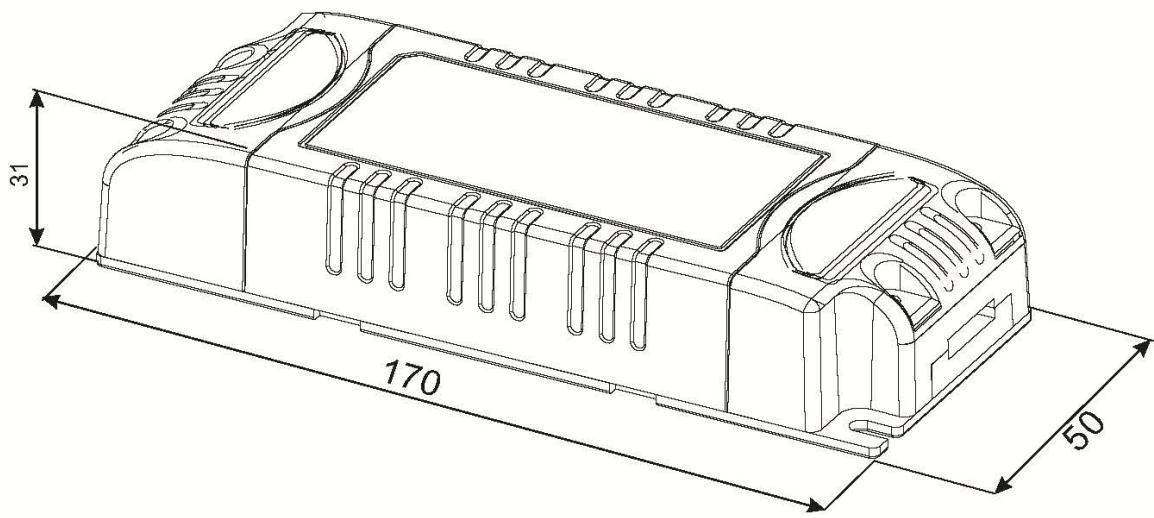
**Conformity & Standards**

<b>EMI</b>	EN55022, EN55015 Class B
<b>Safety</b>	EN60598
<b>Electromagnetic Immunity</b>	EN61547,ENV5024 EN61000-4-2/3/4/6/8/11
<b>Harmonic Current Emission</b>	EN61000-3-2 EN61000-3-3

Installation

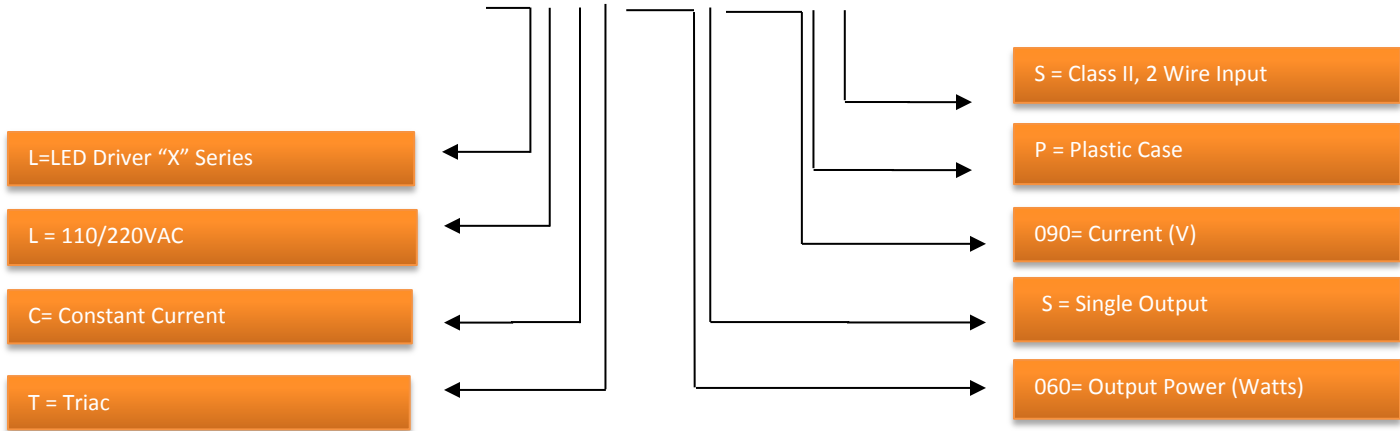


Dimensions



## PART NUMBER SCHEME

LXLCT060S090PS



SPECIFICATIONS ARE SUBJECT TO CHANGE WITHOUT NOTICE. AUTEC IS NOT RESPONSIBLE FOR ISSUES ARISING FROM ERRORS OR OMISSIONS