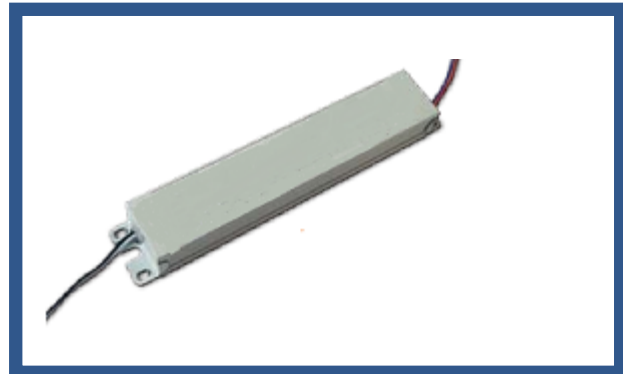


LXHCD100SXXXSS Series



Constant current LED driver
Total power: 100W
Input voltage: 347Vac \pm 10%
Number of outputs: One
UL 8750
IP20 design for dry and damp location
Dimmable with 0-10V dimmer
5 year warranty



ELECTRICAL SPECIFICATIONS

Input voltage range:	347Vac \pm 10%
Frequency:	50/60Hz
Power factor:	> 0.9 under 347Vac input with 80~100% load condition (for all output currents)
Inrush current:	TBD
Max input current:	0.35A @347V
THD:	< 20% under 347Vac input with 80~100% load condition (for all output currents)
Load Regulation:	\pm 2%
Line Regulation:	\pm 1%
Voltage Tolerance:	\pm 5% at full load condition
Turn-on Delay Time:	< 2s at full load condition
Overshoot:	< 10% at full load condition
No Load Power Consumption:	TBD
Ripple & Noise (pk-pk):	< 10%
Withstand voltage:	Input to output, 2,800Vdc, 2mA
Leakage current:	Maximum 0.5mA at 347Vac, 60Hz input
Protection:	Over voltage protection: Hiccup mode. Protection will trigger when load voltage exceed specified output voltage and will auto recover after the fault mode is removed. Over current protection: Hiccup mode. Protection will trigger when load current exceed specified output current and will auto recover after the fault mode is removed. Short circuit protection: Hiccup mode. Protection will trigger when short circuit and will auto recover after the fault mode is removed.

ENVIRONMENTAL SPECIFICATIONS

Operating temperature:	-40 to 60°C
Storage temperature:	-40 to 85°C
Humidity:	5% to 95%
MTBF:	TBD
Life rating:	TBD
Maximum case Temperature :	90°C

SAFETY AND EMC COMPLIANCE

UL/cUL	UL 8750 pending
CE	EN61347-1, EN61347-2-13
FCC, 47CFR Part 15	ANSI C63.4:2009 Class B (Consumer Limit)
EN61000-3-2	Harmonic Current Emissions Class C

PRODUCT SPECIFICATIONS

Model Number	Max output power	Output Current	Output Voltage	OCV	Efficiency at 347V (Typ.)	Remote mounting distance (#18 AWG)	Class 2	
							US	Canada
LXHCD100S210SS	100W	2100mA	24-48V	53V	89%	18 ft	✓	
LXHCD100S275SS	100W	2750mA	18-36V	41V	89%	13 ft	✓	✓

PHYSICAL DIMENSIONS

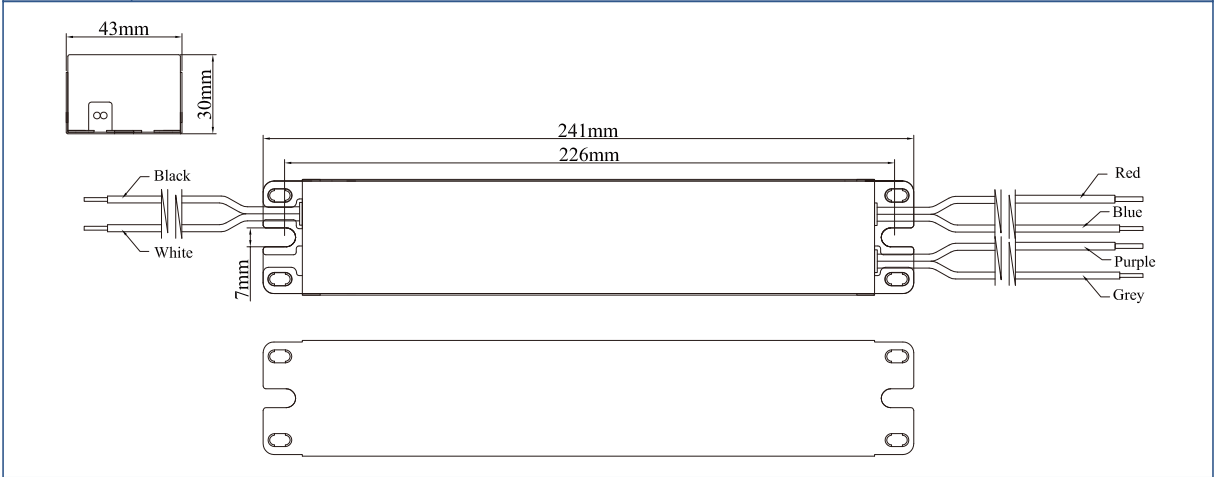
Length (L):	9.50" (241mm)
Width (W):	1.70" (43mm)
Height (H):	1.15" (30mm)
Mounting (M):	8.90" (226mm)

PACKAGING

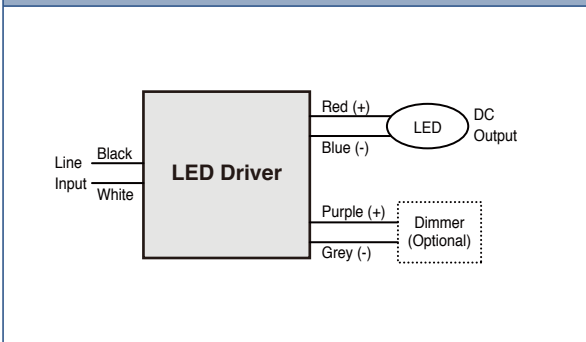
0.55kg / unit ; 30pcs / carton ; 1,080pcs / pallet	
Carton size:	300 x 280 x 210 mm
Carton weight:	18 kg
Case Material:	Metal

WIRE SPECIFICATIONS

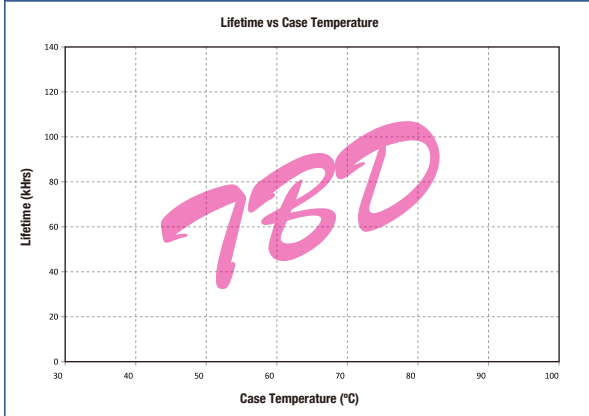
Input:	12", UL 1316 #18AWG (Black and White)
Output:	12", UL 1316 #18AWG (Red and Blue)
Dimming:	12", UL 1430 #22AWG (Purple and Grey)



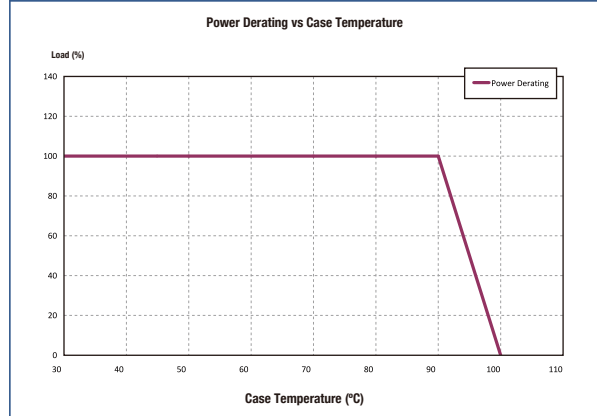
WIRING DIAGRAM



LIFETIME vs CASE TEMPERATURE



POWER DERATING vs CASE TEMPERATURE



POWER FACTOR vs LOAD



EFFICIENCY vs LOAD

