

Dimensions (mm)

L <sup>a</sup>	H	H <sub>1</sub>	H <sub>2</sub>	D	D <sub>1</sub>	B	B <sub>1</sub>	B <sub>2</sub>	B <sub>3</sub>
150.0±5.0	38.0±1.0	41.0±1.0	50.0±1.0	Φ38.0±1.0	M20 × 1.5	43.5±1.0	4.2±0.1	6.0±0.1	22.0±0.2

<sup>a</sup>: The lead length "L" can be customized as required.

**Key Features**

- IP66
- Differential and Common Mode Protections
- One-port Optional
- Without Thermal Protection Function

**Applications**

- Power System of Outdoor Lighting
- Power System of Monitoring
- Power System of Air Conditioning
- Power System of Computer Room
- Power System of Telecom
- Power System of EV

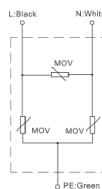
**Designed to Standards**

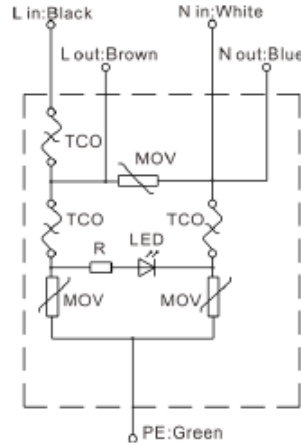
- UL 1449 Fourth Edition
- EN / IEC 61643-11
- IEEE C62.41.2

**Agency Information**

- UL / CUL E322662

**Schematics**





Part Number	Line Voltage Vac	Maximum Operating Voltage, Continuous, Vac	Max. Peak Current 8/20 $\mu$ s	Clamping Voltage VPR@ 6kV, 3kA	Rated Current (A)	Response Time (ns)	Enclosure Protection
BELOW SHOWN PRODUCTS ARE USED IN SERIES							
LPS120-1025KA	120	150	10kA (In) / 25kA (Imax)	600	15	<25	IP66
LPS277-1025KA	277	320	10kA (In) / 25kA (Imax)	1150	15	<25	IP66
LPS347-1025KA	347	420	10kA (In) / 25kA (Imax)	1350	15	<25	IP66
LPS480-1025KA	480	550	10kA (In) / 25kA (Imax)	1600	15	<25	IP66

(I)n = Nominal Current  
 (I)max= Maximum Current  
 Operating Temp: -40C° to +85C°  
 Altitude: 2,000meter or less  
 UL1440, 3rd, EN61643-11, IEEE C62.41.2