

■ Features

- Supply Voltage: 90-305Vac or 127-420Vdc
- Surge Immunity 10kV
- PWM Output Frequency >1kHz
- 100,000Hour Life @ Tc=75C
- 5 Year Warranty @ Tc<=80C
- 0-10V/PWM/DALI (optional) Dimmable
- 2% Minimum Dimming Output
- Dim Off with 0.5W Standby
- 12V 300mA Auxiliary Power to Power Controllers and Fans (Optional)
- Input Over Voltage Protection (Optional)
- UL Class P, ENEC/CB/CCC SELV Output
- Safety according to EN 61347-1, 61347-2-3, 61347-2-13, 62384



■ Application

- Strip lights, Landscape lights, Bay lights, Street lights, Flood lights

■ Model List

Model Number	Input Voltage Range	Output Power	Output Voltage	Output Current Min	Output Current Max	Certification
LWA320-V012-XYZ	90 ~ 305 Vac	240 W	12V	0	20A	UL/FCC/CB/ENEC/CCC
LWA320-V024-XYZ	90 ~ 305 Vac	320 W	24V	0	13.3A	UL/FCC/CB/ENEC/CCC
LWA320-V048-XYZ	90 ~ 305 Vac	320 W	48V	0	6.7A	UL/FCC/CB/ENEC/CCC

XY=	Dimming Method	Programmable	12Vaux	Dim-off
NN	-	-	-	-
EN	0-10V	N	√	√
AN	DALI	N	-	√
Z	K, UL cable with ground wire    S, VDE cable/Class I		D, VDE cable/Class II	

**■ Technical Data**

Input Voltage	90~305Vac or 127V-420Vdc
Input Frequency	47~63Hz
Power Factor	>0.9@60-100%load, refer to PF vs. Load curve
THD	<15%@60-100%load, refer to THD vs. Load curve
Input Current	2.9Amax@120Vac & Full-Load, 1.5Amax@220Vac & Full-Load
Inrush Current	65A peak, 1.2ms duration, <0.25A2s@230Vac, Cold Start 70A peak, 1.3ms duration, <0.5A2s@277Vac, Cold Start
Leakage Current	1mA max @277Vac 60Hz, UL8750,0.75mAmax @220Vac 50Hz, IEC61347-1
Input Under Voltage	Shut down and auto-restart
Input Over Voltage	*Optional: Shutdown @320Vac
Surge Protection	Line to line 6kV, line to ground 10kV, IEC 61000-4-5
Voltage Accuracy	±3%Vo
Setup Time	1.2s max.
Output Overshoot	10% Vo, max.
Output Over Current	120% Io, typ.
Short Circuit	Auto recovery. The output recovers when short is removed.
Over Temperature	Lower the output current when $T_c \geq 105 \pm 10^\circ\text{C}$ ; Auto Recovery When $T_c \leq 70 \pm 10^\circ\text{C}$
Operating Temperature	-40°C~+70°C ; 10%RH~100%RH (See Derating Curve for more details)
Storage Temperature	-40°C~+85°C; 5%RH~100%RH
MTBF	≥280,000 hours, 75°C case temperature (MIL-HDBK-217F)
Lifetime	≥100,000 hours, 75°C case temperature, refer to life vs. Tc curve
Case Temperature	90°C max, marked in the Tc point of label
Dimensions	8.82x3.54x1.63 by inch (body), 9.88x3.54x1.63 by inch (endcaps included) 224 x 90 x 41.5 by mm (body), 251 x 90 x 41.5 by mm (endcaps included)
Net Weight	1600g
Packing	10pcs/Carton/19kg, 500x370x335mm

Notes: Unless specified, all the test results are measured in 25°C room temperature.

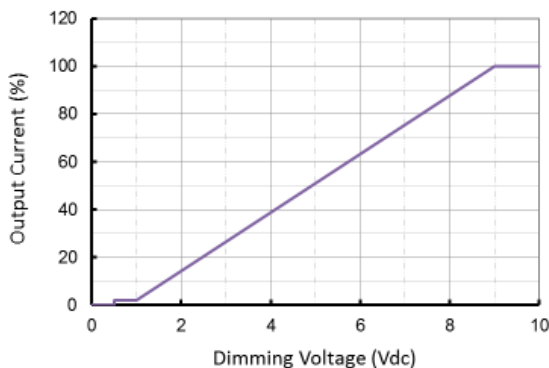
\* Marked items are optional. Please contact Sales to specify the required functions.

## ■ Dimming

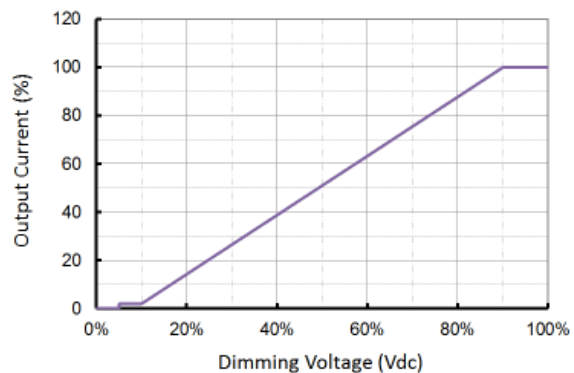
Parameter	Min.	Typ.	Max.
Vdim Sourcing Current	200uA	300uA	450uA
Vdim Allowed Input Voltage	-20 V		20 V
0-10V Dimming Range	2% (Vdim=1V)	Linear	100% (Vdim=9~10V)
PWM Dimming Range	2% (Duty=10%)	Linear	100% (Duty=90-100%)
Dim off threshold		0.5V or 5%	0.6V or 6%
Dim on threshold	0.6V or 6%	0.7V or 7%	
PWM High	3V		10V
PWM Low	0V		0.6V
PWM Frequency	300Hz		2kHz
External PWM Controller Current Sinking Capability	300uA		
DA1,DA2 High Level	9.5	16	22.5
DA1,DA2 Low Level	-6.5	0	6.5
DA1,DA2 Current	0		2mA

### Dimming Curve

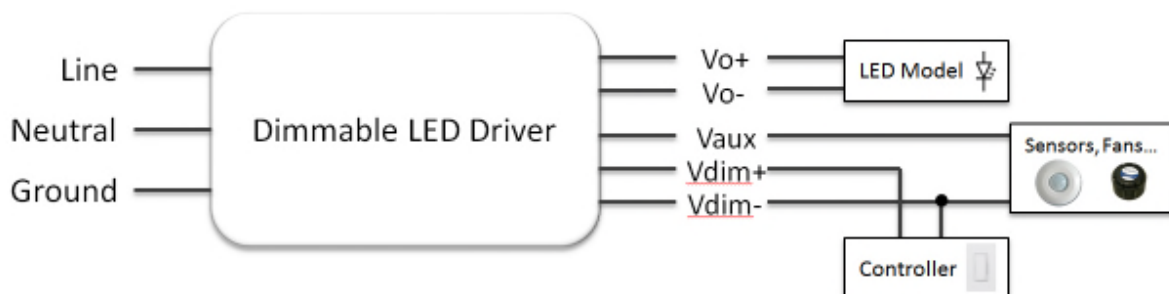
0-10V Dimming Curve



PWM Dimming Curve



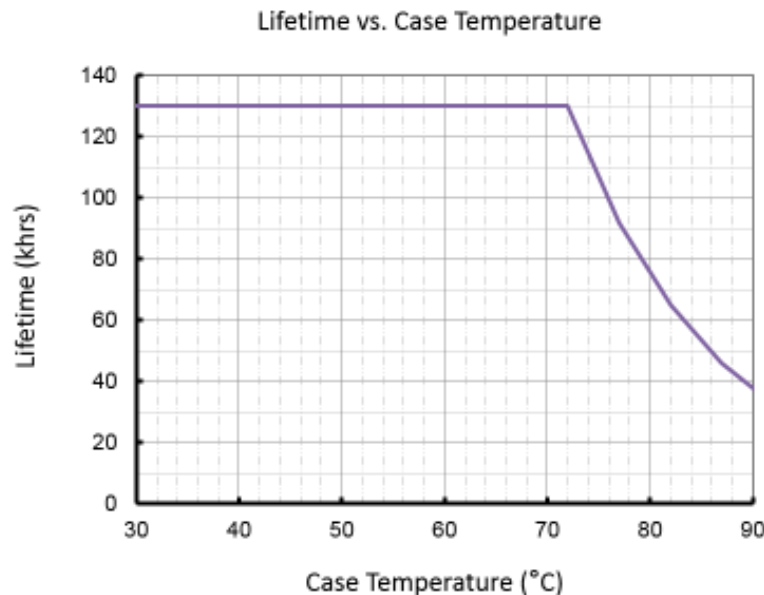
### Dimming Wiring



## ■ Safety/EMC Compliance

Safety Standard	Description
UL8750	Light emitting diode(LED) equipment for use in lighting products
UL1012	Power units other than class 2
IEC 61347-1	Lamp control gear Part 1: general and safety requirements
IEC 61347-2-13	Lamp control gear Part 2-13: particular requirement for d.c. or a.c. supplied electronic control gear for LED modules
EMI Standards	Description
IEC 55015	Conducted emission test & radiated emission test
IEC 61000-3-2	Harmonic current emissions; Class C
IEC 61000-3-3	Voltage fluctuations & flicker
FCC Part 15	ANSI C63.4:2009 Class B
EMS Standards	Description
IEC 61000-4-2	Electrostatic discharge (ESD): 8 kV air discharge, 4 kV contact discharge
IEC 61000-4-3	Radio frequency electromagnetic field susceptibility test (RS)
IEC 61000-4-4	Electrical fast transient (EFT)
IEC 61000-4-5	Surge immunity test
IEC 61000-4-6	Conducted radio frequency disturbances test (CS)
IEC 61000-4-8	Power frequency magnetic field test
IEC 61000-4-11	Voltage dips
IEC 61547	Electromagnetic immunity requirements applies to lighting equipment

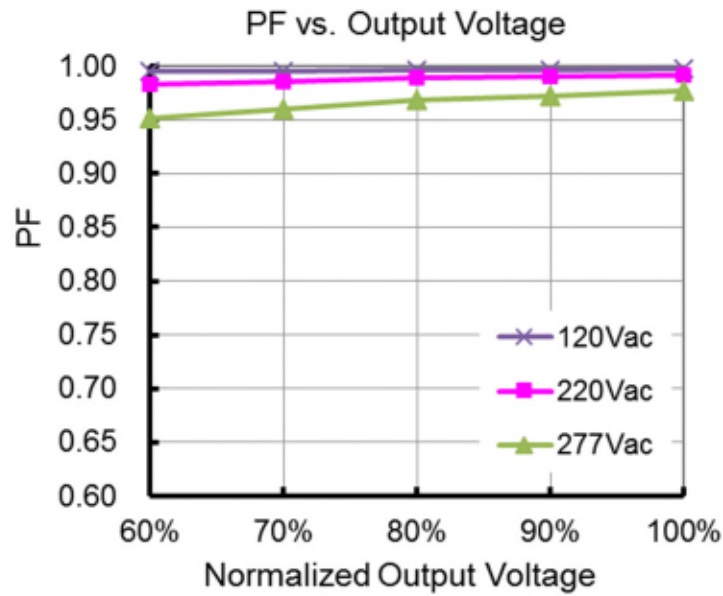
## ■ Lifetime vs. Case Temperature



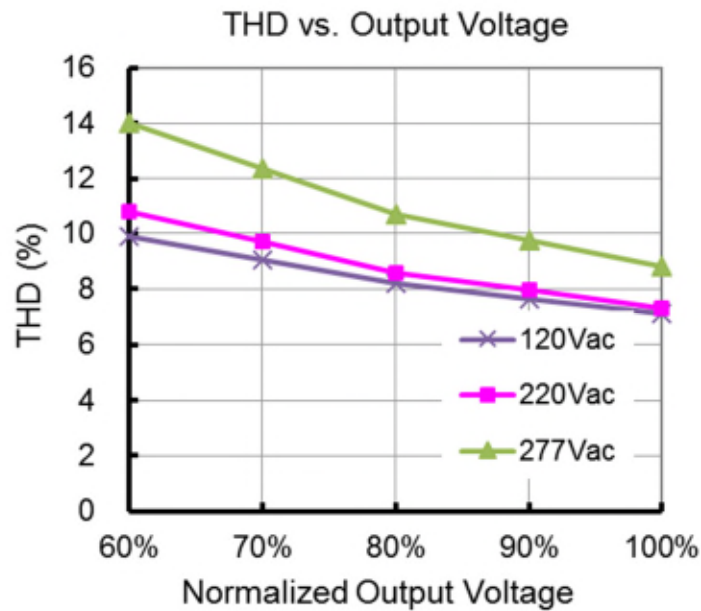
(End of Life: Maximum Failure Rate=10%)

**Technical Sales / Customer Service:** +1-818-338-7788 • Email: [Sales@autec.com](mailto:Sales@autec.com)  
31328 Via Colinas Suite 102 • Westlake Village, California 91362 USA • [www.autec.com](http://www.autec.com)

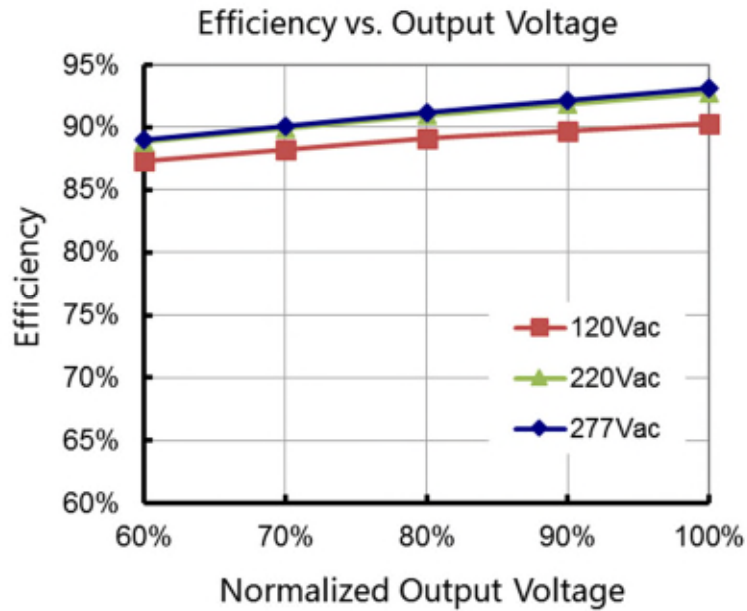
■ Power Factor vs. Load



■ THD vs. Load

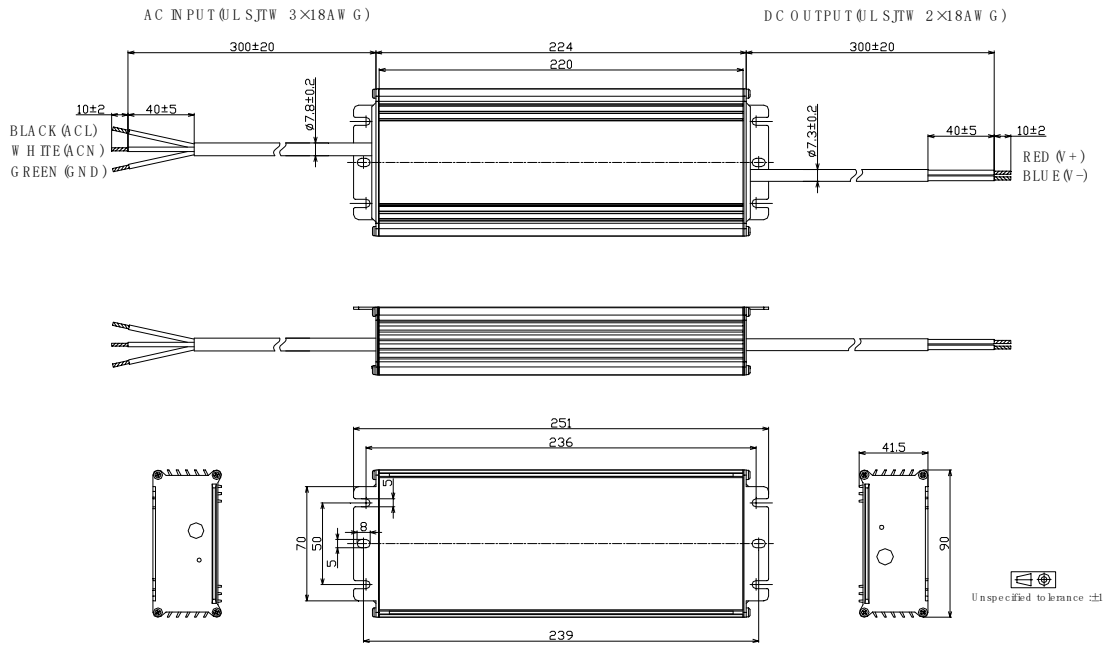


■ Efficiency vs. Load (24V Model)

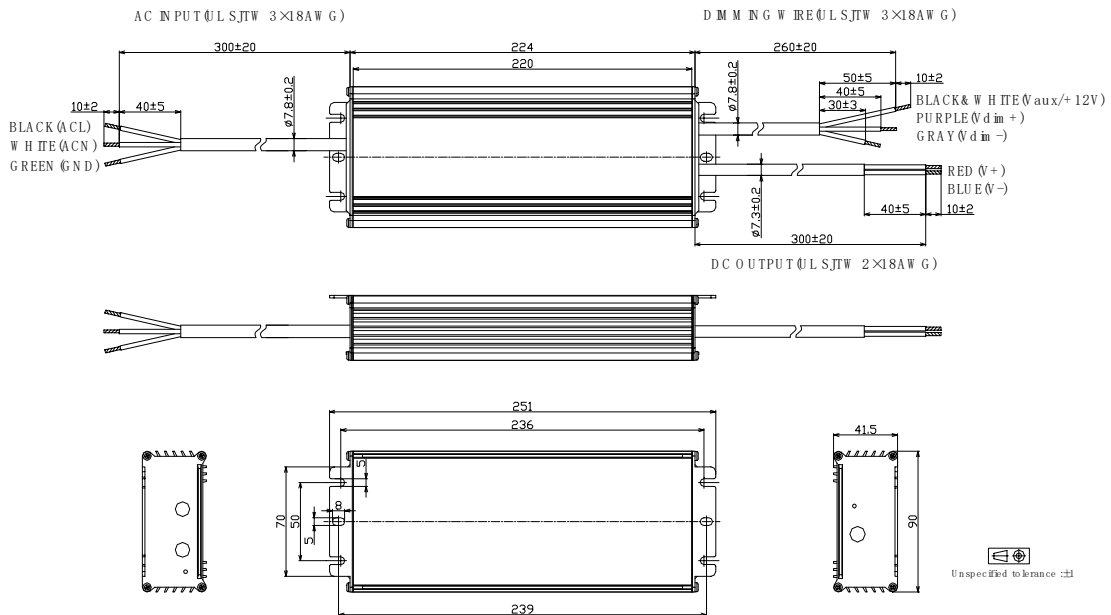


■ Mechanical Design

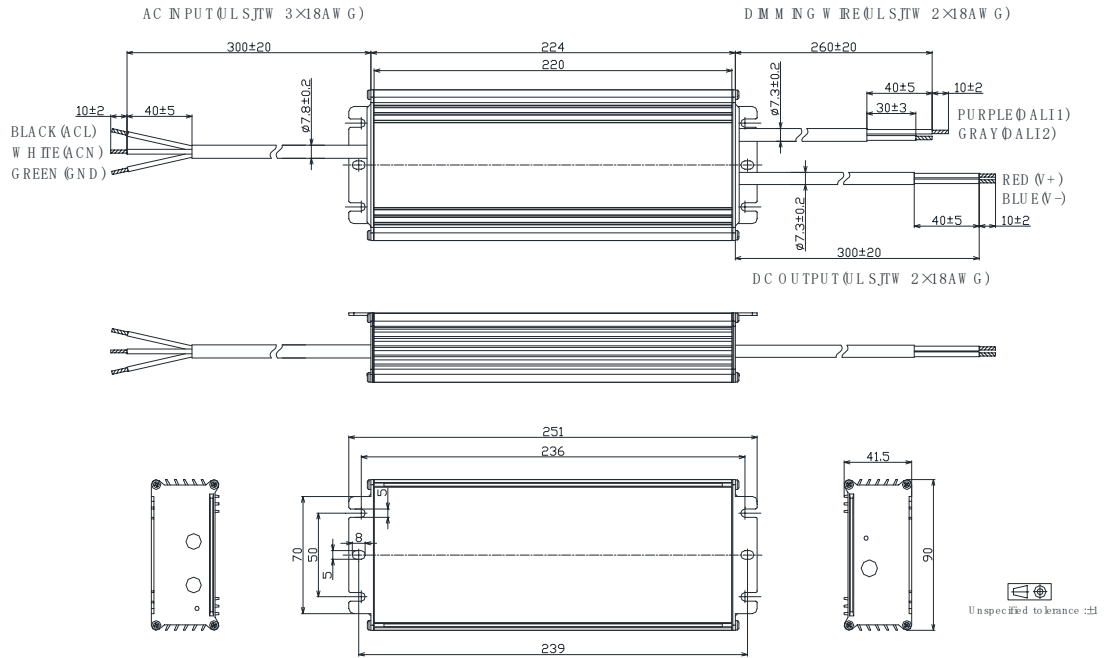
- LWA320-Vxxx-NN/TRK (UL Cable)



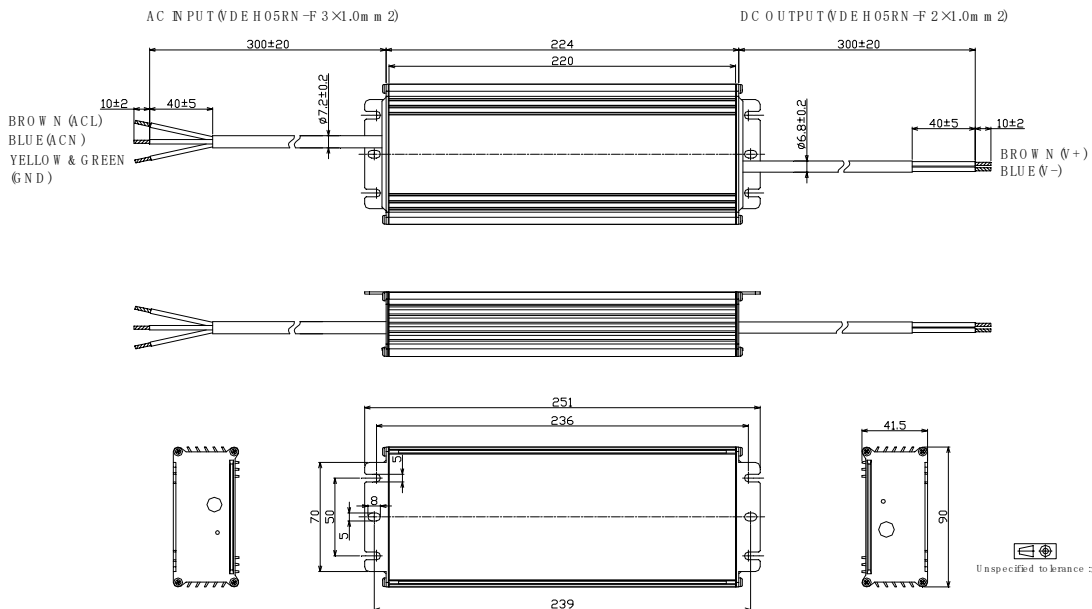
- LWA320-Vxxx-ERK (UL Cable)



- LWA320-Vxxx-ARK (UL Cable)

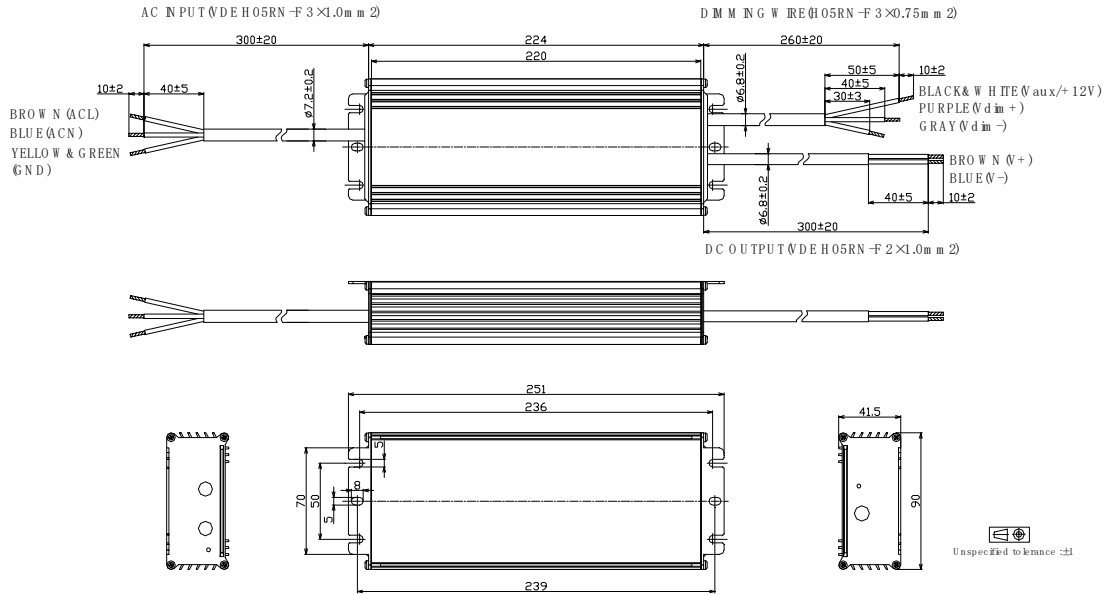


- LWA320-Vxxx-NN/TRS (VDE Cable)





- LWA320-Vxxx-ERS (VDE Cable)



- LWA320-Vxxx-ARS (VDE Cable)

